

SLEEVE BEARINGS • GENERAL PURPOSE POLYMER

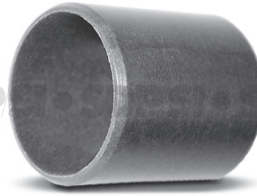
SDPSI

MAINTENANCE-FREE
HIGH WEAR RESISTANCE
ABOVE AVERAGE LOADS
DRY-RUNNING

PHONE: 516.328.3300 • FAX: 516.326.8827 • WWW.SDP-SI.COM



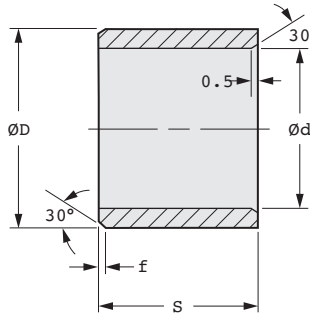
SDPSI SDPSI



➤ **MATERIAL:**
G300® Polymer

➤ **OPERATING TEMPERATURE:**
-40°C to +130°C

For additional information concerning the bearing material, see page 5-37.



- I
- R
- T
- 1
- 2
- 3
- 4
- 5
- 6
- 7
- 8
- 9
- 10
- 11
- 12
- 13
- 14
- 15
- 16

METRIC COMPONENT

Catalog Number	d Bore	d Tolerance	D Dia.	S h13	I.D. After Pressfit	
					Max.	Min.
S99GGPM020403	2	+0.054/+0.014	3.5	3	2.054	2.014
S99GGPM030506	3		4.5	6	3.054	3.014
S99GGPM040604	4	+0.068/+0.020	5.5	4	4.068	4.020
S99GGPM050708	5		7	8	5.068	5.020
S99GGPM060808	6	+0.083/+0.025	8	12	6.068	6.020
S99GGPM081012	8		10		8.083	8.025
S99GGPM101212	10	+0.102/+0.032	12	14	10.083	10.025
S99GGPM121414	12		14		12.102	12.032
S99GGPM161820	16	+0.124/+0.040	18	20	16.102	16.032
S99GGPM202222	20		22	22	20.124	20.040

Catalog Number (Ref.)	Housing Bore		Shaft Size		f
	Max.	Min.	Max.	Min.	
S99GGPM020403	3.508	3.500	2.000	1.975	0.3
S99GGPM030506	4.512	4.500	3.000	2.975	
S99GGPM040604	5.512	5.500	4.000	3.970	
S99GGPM050708	7.015	7.000	5.000	4.970	
S99GGPM060808	8.015	8.000	6.000	5.970	
S99GGPM081012	10.015	10.000	8.000	7.964	0.5
S99GGPM101212	12.018	12.000	10.000	9.964	
S99GGPM121414	14.018	14.000	12.000	11.957	
S99GGPM161820	18.018	18.000	16.000	15.957	0.8
S99GGPM202222	22.021	22.000	20.000	19.948	