

STANDARD SERIES
CLOSED OR OPEN
SELF-LUBRICATING
LOW COST

PHONE: 516.328.3300 • FAX: 516.326.8827 • WWW.SDP-SI.COM



> MATERIAL:

Body - Aluminum, Anodized
Liner - Bonded Frelon®

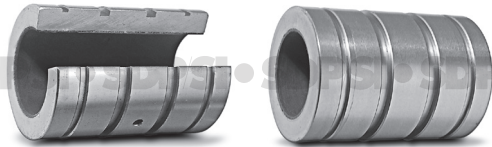
> SPECIFICATIONS:

d Tolerance:

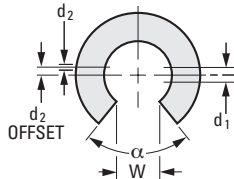
- 5 mm +0.078/+0.060
- 8 & 10 mm +0.085/+0.063
- 12 & 16 mm +0.093/+0.066
- 20, 25 & 30 mm +0.129/+0.096
- 40 mm +0.166/+0.127

D Tolerance:

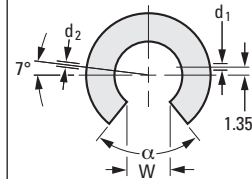
- 12 & 16 mm 0/-0.018
- 19, 22 & 26 mm 0/-0.021
- 32, 40 & 47 mm 0/-0.025
- 62 mm 0/-0.030



FOR ALL OTHER BORES

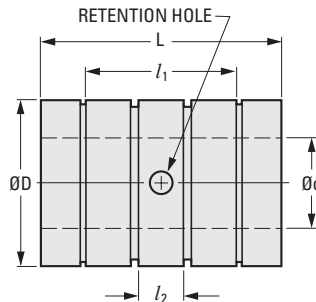


FOR 12 BORE ONLY



APPLICABLE RETAINING RINGS AND O-RINGS

| Bearing Reference (Closed or Open Series) | Catalog Numbers | |
|--|-----------------|----------------|
| | Retaining Ring | O-Ring |
| S99AS□M05F012022 | MD0471MQB012 | A 6R11ML009713 |
| S99AS□M08F016025 | MD0471MQB016 | A 6R11ML013017 |
| S99AS□M10F019029 | MD0471MQB019 | A 6R11ML015520 |
| S99AS□M12F022032 | MD0471MQB022 | A 6R11ML017525 |
| S99AS□M16F026036 | MD0471MQB026 | A 6R11ML021525 |
| S99AS□M20F032045 | MD0471MQB032 | A 6R11ML027525 |
| S99AS□M25F040058 | MD0471MQB040 | A 6R11ML035525 |
| S99AS□M30F047068 | MD0471MQB047 | A 6R11ML042526 |
| S99AS□M40F062080 | MD0471MQB062 | A 6R11ML056035 |



METRIC COMPONENT

| Catalog Number * | d Bore | D Dia. h7 | L 0 -0.254 | Slot (Open Series) | | l ₁ Retaining Space | l ₂ O-Ring Spacing | Max. Load N |
|------------------|-----------|-----------------|------------------|--------------------|-----------------|--------------------------------------|-------------------------------------|-------------------|
| | | | | W Slot Width | α Slot Angle | | | |
| S99AS□M05F012022 | 5 | 12 | 22 | 3.2 | 60° | 12 | 5 | 1135 |
| S99AS□M08F016025 | 8 | 16 | 25 | 5.1 | | 14 | 5.33 | 2055 |
| S99AS□M10F019029 | 10 | 19 | 29 | 6.4 | | 19.4 | 5.63 | 2985 |
| S99AS□M12F022032 | 12 | 22 | 32 | 7.6 | 78° | 20 | 6 | 3950 |
| S99AS□M16F026036 | 16 | 26 | 36 | 10.4 | | 22 | 8 | 5930 |
| S99AS□M20F032045 | 20 | 32 | 45 | 10.8 | 60° | 28 | 10 | 9265 |
| S99AS□M25F040058 | 25 | 40 | 58 | 13.2 | | 40 | 12.5 | 14935 |
| S99AS□M30F047068 | 30 | 47 | 68 | 14.2 | | 48 | 15 | 21010 |
| S99AS□M40F062080 | 40 | 62 | 80 | 19.5 | 72° | 56 | 20 | 32955 |

* To complete catalog number, specify **C** for **Closed Series** and **Z** for **Open Series**.

| Catalog Number (Ref.) | Effective Surface Area cm ² | Retention Hole | | |
|--------------------------|---|----------------|----------------|--------------------------|
| | | d ₁ | d ₂ | d ₂ Offset |
| S99AS□M05F012022 | 1.1 | 2.2 | — | — |
| S99AS□M08F016025 | 2 | 3 | | |
| S99AS□M10F019029 | 2.9 | 3 | | |
| S99AS□M12F022032 | 3.8 | 3 | 3 | 7° |
| S99AS□M16F026036 | 5.8 | 2.2 | | 0 |
| S99AS□M20F032045 | 9 | 3 | 3 | -1.51 |
| S99AS□M25F040058 | 14.5 | | | |
| S99AS□M30F047068 | 20.4 | | | |
| S99AS□M40F062080 | 32 | | | |
| | | | | |
| | | 1.5 | | |