

FLANGE-MOUNTED BALL BEARINGS

SDPSI

SELF-ALIGNING TO $\pm 5^\circ$
 FLANGE-MOUNTED
 DOUBLE SHIELDS
 ABEC 3

PHONE: 516.328.3300 • FAX: 516.326.8827 • WWW.SDP-SI.COM



> MATERIAL:

Bearing - High Chromium Alloy Steel
Flange & Retainer - Carbon Steel, Black Oxide Finish

> OPERATING TEMPERATURE:

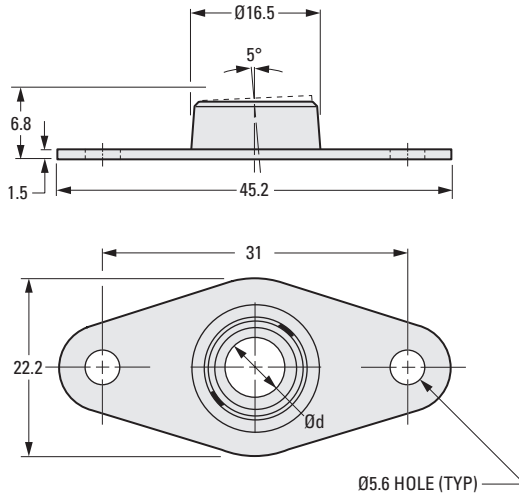
-34°C to +121°C

> SPECIFICATIONS:

Max. Speed: 40000 rpm
Max. Radial Load - Static: 275 N
Dynamic: 544 N



SDPSI SDPSI



The projections shown are per ISO convention.

METRIC COMPONENT

Catalog Number	d Nom. I.D.
A 7Z58MBFM005L	5
A 7Z58MBFM006L	6
A 7Z58MBFM008L	8

1

R

T

1

2

3

4

NEW

6

7

8

9

10

11

12

13

14

15

16