

SELF-CLINCHING BALL BEARINGS

SDPSI

SELF-ALIGNING TO $\pm 5^\circ$
 DOUBLE SHIELDS
 ABEC 3

PHONE: 516.328.3300 • FAX: 516.326.8827 • WWW.SDP-SI.COM



> MATERIAL:

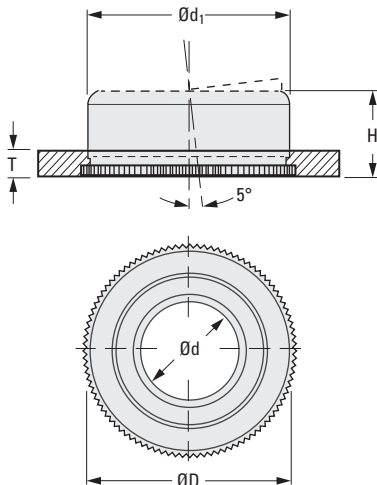
Bearing - High Chromium Alloy Steel
Retainer - Carbon Steel, Black Oxide Finish

> OPERATING TEMPERATURE:

-34°C to +121°C

> FEATURES:

High-speed applications.
 Knurling ensures secure self-clinching.
 Simple, quick installation.
 Major assembly and production savings.
 Mounting blocks not necessary.



The projections shown are per ISO convention.

METRIC COMPONENT

Catalog Number	d Nom. I.D.	d ₁ Panel Hole Dia. +0.07 0	T Min. Panel Thickness	D Knurl O.D.	H Height	Max. Speed rpm	Max. Radial Load N	
							Static	Dynamic
A 7Z54MFSL050	5	16.26	1.5	17.5	7.2	40000	275	544
A 7Z54MFSL060	6							
A 7Z54MFSL080	8							
A 7Z54MFSL100	10	23.98	1.9	25	10	36000	839	1716

1

2

3

4

5

6

7

8

9

10

11

12

13

14

15

16

17

18

19

20

NEW