

SERIES 1 ANTI-BACKLASH BALL NUTS



THIS ISEL BALL NUT IS A PATENTED ANTI-BACKLASH DESIGN

PHONE: 516.328.3300 • FAX: 516.326.8827 • WWW.SDP-SI.COM

> MATERIAL:

- Balls** - Hardened Steel HRC 63 ± 2
- Ball Nut** - Steel, Cf 53, ground, polished and hardened to HRC 62 ± 2

> SPECIFICATIONS:

Repeatability of 0.01 mm and accuracy of 0.1 mm/300 mm when used with our ball screws. Blank shaft is used to retain balls during shipment. Can be used with 16 mm ball screws; see index. Available in 2 heights of 25.3 mm and 28.5 mm.

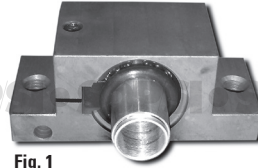


Fig. 1

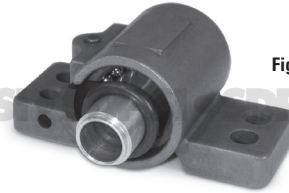


Fig. 2

Photographed with blank shaft to retain balls.

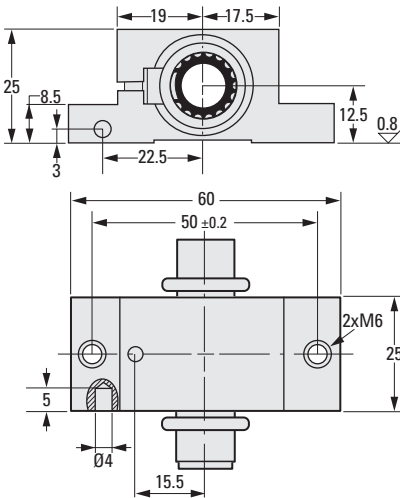


Fig. 1

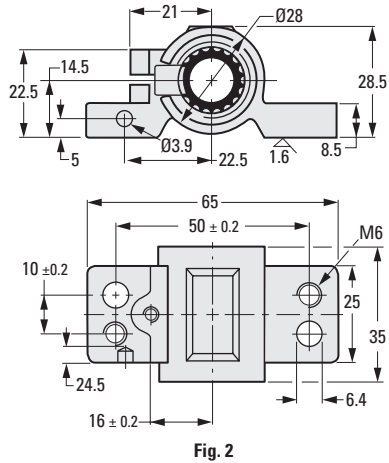


Fig. 2

METRIC COMPONENT

Catalog Number	Fig. No.	Pitch
S6653HM2130040	1	4
S6653HM2130050		5
S6653HM2130100	2	10
S6653HM2130200		20

