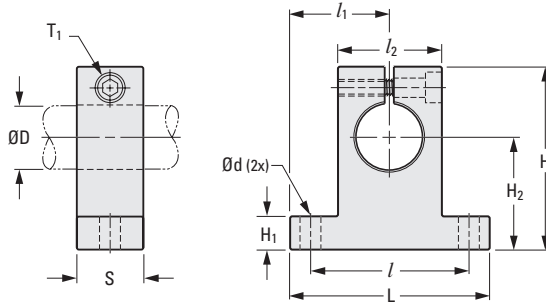


BASE MOUNT SHAFT SUPPORT

PHONE: 516.328.3300 • FAX: 516.326.8827 • WWW.SDP-SI.COM

> MATERIAL:

Housing - Cast Aluminum
Clamping Screw (Supplied) - Steel



The projections shown are per ISO convention.

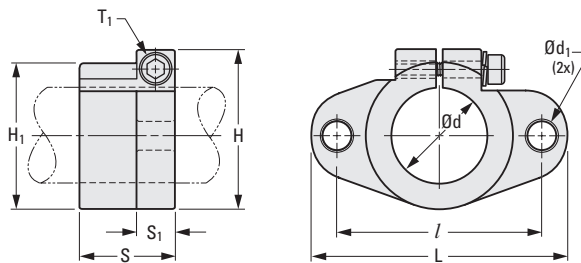
METRIC COMPONENT

Catalog Number	D Shaft Dia.	L Lgth.	H Hgt.	H ₁	H ₂ ± 0.02	l	l ₁ ± 0.05	l ₂	S	d Dia.	Mounting Screw Ref.	T ₁ Clamping Screw
S64SBAM101433	10	42	33	6	20	32	21	18	14	5.5	M5	M4
S64SBAM121438	12		38	23	20							
S64SBAM161644	16	48	44	8	27	38	24	25	16	5.5	M5	M4
S64SBAM202051	20	60	51	10	31	45	30	30	20	6.6	M6	M5
S64SBAM252460	25	70	60	12	35	56	35	38	24			M6
S64SBAM302870	30	84	70	12	42	64	42	44	28	9	M8	M6
S64SBAM403696	40	114	96	15	60	90	57	60	36	11	M10	M8
S64SBAM5040C0	50	126	120	18	70	100	63	74	40	14	M12	M12

FLANGE MOUNT SHAFT SUPPORT

> MATERIAL:

Housing - Cast Aluminum
Clamping Screw (Supplied) - Steel



The projections shown are per ISO convention.

METRIC COMPONENT

Catalog Number	d Bore	L Length	H Height	H ₁	l	S	S ₁	d ₁ Dia.	Mounting Screw Ref.	T ₁ Clamping Screw
S61SFAM101024	10	43	24	20	32	10	7.5	5.5	M5	M4
S61SFAM121328	12	47	28	25	36	13				
S61SFAM161631	16	50	31	28	40	16	9	7	M6	M5
S61SFAM202037	20	60	37	34	48	20				
S61SFAM252542	25	70	42	40	56	25	10			