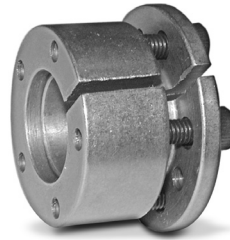


FITS COMPONENTS WITH LIMITED HUB O.D.
 ELIMINATES KEYS OR SPLINES
 IMPROVES FIT CONCENTRICITY
 DEFINED AXIAL HUB POSITION
 EASY AXIAL OR ANGULAR TIMING

PHONE: 516.328.3300 • FAX: 516.326.8827 • WWW.SDP-SI.COM

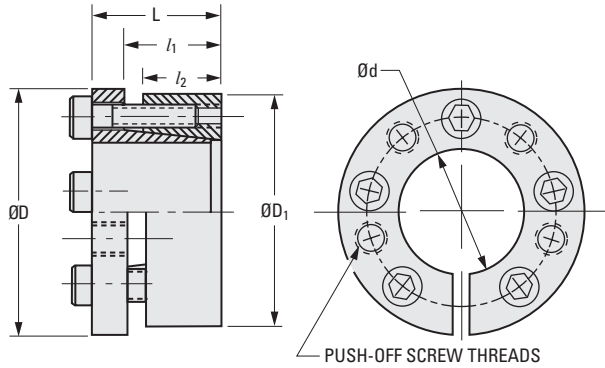


> MATERIAL:

- Inner Body** - Steel
- Outer Sleeve** - Steel
- Socket Head Screws** - Alloy Steel, Black Oxide Finish

> SPECIFICATION:

* Tolerance of shaft diameter and mating mounted component bore is ± 0.025 .



The projections shown are per ISO convention.

METRIC COMPONENT

Catalog Number	d* Bore	D Dia.	D ₁ Dia.	L	l ₁	l ₂	Locking Screw Size	Qty.	Screw Tightening Torque N • m	Max. Torque N • m
S21HSCM062024	6	23.8	20.6	16.5	13.1	10	M4	3	4.3	19
S21HSCM082225	8	25.4	22.2	16.5	13.1	10	M4	3	5	29
S21HSCM102427	10	27	23.8	16.5	13.1	10	M4	3	5	36
S21HSCM122730	12	30.2	27	16.5	13.1	10	M4	4	5	58
S21HSCM153033	15	33.3	30.2	20.5	15.1	12	M4	6	5	109
S21HSCM163033	16	33.3	30.2	20.5	15.1	12	M4	6	5	117
S21HSCM204045	20	44.5	39.7	25	19.2	15	M5	6	10	234
S21HSCM254348	25	47.6	42.9	25	19.2	15	M5	8	10	390