

LOCKING HUB BUSHINGS

SDP/SI

THREE-PIECE FRICTION GRIP CONSTRUCTION
CONNECTS ROTATING COMPONENT TO SHAFT
TRANSMITS HIGH TORQUE WITHOUT KEYWAYS

PHONE: 516.328.3300 • FAX: 516.326.8827 • WWW.SDP-SI.COM



> MATERIAL:
Carbon Steel

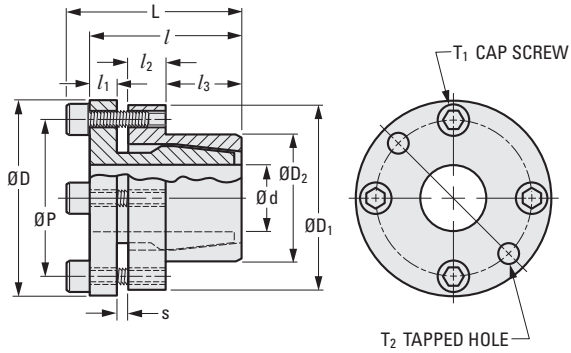
> FINISH:
Nickel Plated

> SPECIFICATIONS:

* Tolerance of mating shaft diameter (h8):
6 mm 0/-0.018
7 to 10 mm 0/-0.022
12 to 18 mm 0/-0.027
20 mm 0/-0.033

** Tolerance of mating bore of mounted component (H7):
12 to 18 mm +0.018/0
20 to 28 mm +0.021/0

Configuration and number of cap screws and tapped holes varies depending on catalog number.



The projections shown are per ISO convention.

METRIC COMPONENT

Catalog Number	d* Bore	D Dia.	D1 Dia.	D2** Dia.	P Dia.	L	l	l1	l2	l3	s	T1 Cap Screw	T2 Tapped Hole	Max. Torque N • m	Allow. Axial Force N	Bolt Tight. Torque N • m
S21AMYM062524	6	25	23	12	17	24	20	3.5	5	10	1.5	2-M4x8	2-M4	6	1948	2
S21AMYM072524	7	28	26	15	20	28	24	5	5	12	2	3-M4x10	3-M4	23	5898	4
S21AMYM082828	8													26		
S21AMYM092828	9													27		
S21AMYM103128	10	31	29	18	23	28	24	5	5	12	2	3-M4x10	3-M4	29	5898	4
S21AMYM123328	12	33	31	20	25									47		
S21AMYM143528	14	35	33	22	27									47		
S21AMYM153934	15	39	36	23	29	34	29	6	7	14	2	4-M5x12	2-M5	95	12700	8
S21AMYM164034	16	40	37	24	30									100		
S21AMYM184234	18	42	39	26	32									110		
S21AMYM204434	20	44	41	28	34	34	29	6	7	14	2	4-M5x12	2-M5	130	12700	8

4-8
D805

1

R

T

1

2

3

4

5

6

7

8

9

10

11

12

13

14

15

A