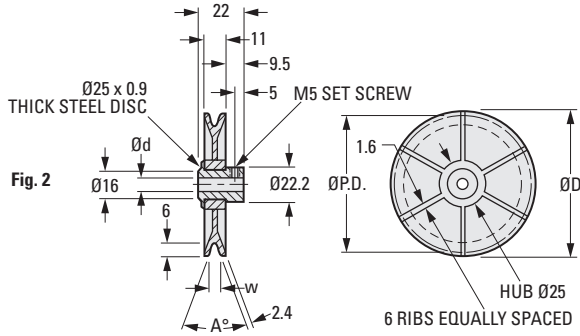
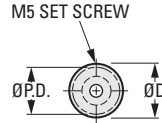
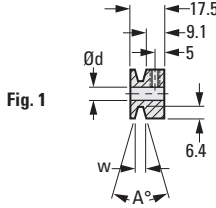


FOR 6 mm V-BELTS  
MOLDED & MOLDED WITH INSERT

PHONE: 516.328.3300 • FAX: 516.326.8827 • WWW.SDP-SI.COM

► MATERIAL:

- Fig. 1 - Nylon
- Fig. 2 - Body - Nylon  
Hub - Aluminum



**METRIC COMPONENT**

Catalog Number	P.D.	D Dia.	d Bore +0.03 0	W Width	A° Angle
<b>Fig. 1 Nylon</b>					
A 6T10M01202506	23	25	6	6.1	32°
A 6T10M01202508	23	25	8	6.1	32°
<b>Fig. 2 Body - Nylon, Hub - Aluminum</b>					
A 6Z10M01203806	36	38	6	6.25	34°
A 6Z10M01203808	36	38	8	6.25	34°
A 6Z10M01203810	36	38	10	6.25	34°
A 6Z10M01203812	36	38	12	6.25	34°
A 6Z10M01205106	48	51	6	6.25	36°
A 6Z10M01205108	48	51	8	6.25	36°
A 6Z10M01205110	48	51	10	6.25	36°
A 6Z10M01205112	48	51	12	6.25	36°
A 6Z10M01206406	61	64	6	6.25	36°
A 6Z10M01206408	61	64	8	6.25	36°
A 6Z10M01206410	61	64	10	6.25	36°
A 6Z10M01206412	61	64	12	6.25	36°
A 6Z10M01207606	74	76	6	6.35	38°
A 6Z10M01207608	74	76	8	6.35	38°
A 6Z10M01207610	74	76	10	6.35	38°
A 6Z10M01207612	74	76	12	6.35	38°

I

R

T

1

2

3

4

5

6

7

8

9

10

11

12

13

14

15

A