

SYNCHROMESH CABLE PULLEYS

SDP/SI

> MATERIAL:

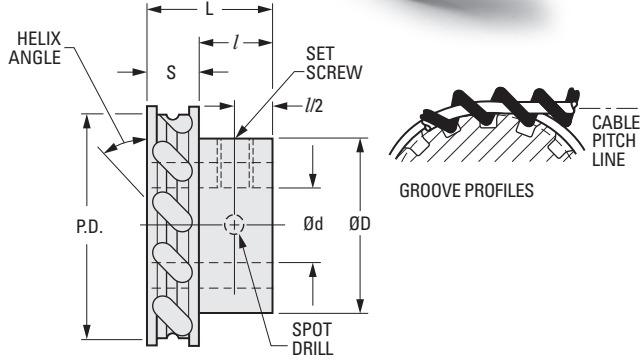
Pulley - Acetal
Insert - Brass

Aluminum inserts used on 6.35 pitch pulleys.

PHONE: 516.328.3300 • FAX: 516.326.8827 • WWW.SDP-SI.COM



0 10



METRIC COMPONENT

Catalog Number	Pitch	No. of Grooves	P.D.	d Bore +0.025 0	S Face Width	L Length	D Hub Dia.	I Hub Proj. Ref.	Helix Angle	Set Screw
A 6P 9M0601502	3.048	15	14.55	2	3.6	9.5	10.3	5.9	45°	M2
A 6P 9M0601503				3						M2
A 6P 9M0601504				4						M2.5
A 6P 9M0602003		20	19.4	3	3.6	9.5	13.9	5.9	45°	M2
A 6P 9M0602004				4						M2.5
A 6P 9M0602005	5			M3						
A 6P 9M0602503	25	24.26	3	3.6	9.5	13.9	5.9	45°	M2	
A 6P 9M0602504			4						M2.5	
A 6P 9M0602505			5						M3	
A 6P 9M0801503	3.81	15	18.19	3	3.6	9.5	13.9	5.9	51°	M2
A 6P 9M0801504				4						M2.5
A 6P 9M0801505				5						M3
A 6P 9M0802403		24	29.11	3	3.6	9.5	15.9	5.9	51°	M2
A 6P 9M0802404				4						M2.5
A 6P 9M0802405	5	M3								
A 6P 9M1001506	5.08	15	24.26	6	4.8	12.7	15.9	7.9	42°	M4
A 6P 9M1003008		30	48.51	8			17.1			M5
A 6P 9M1201510	6.35	15	30.3	10	6.4	15.9	22.2	9.5	48°	M5
A 6P 9M1203010		30	60.63							