

LADDER CHAINS & SPROCKETS • 7.26 mm PITCH

SDP/SI

SIZE 18
 MOLDED WITH METAL INSERT
 2.5 mm FACE

PHONE: 516.328.3300 • FAX: 516.326.8827 • WWW.SDP-SI.COM

> MATERIAL:

- Ladder Chain** - Galvanized Steel, Brass, High-Tensile Stainless Steel, or Stainless Steel
- Sprocket** - Acetal, Black
- Insert** - Brass, Knurled

> SPECIFICATIONS:

Sprockets with:
 4 & 6 mm bore have an M3 set screw & spot drill
 8 mm bore have an M4 set screw & spot drill

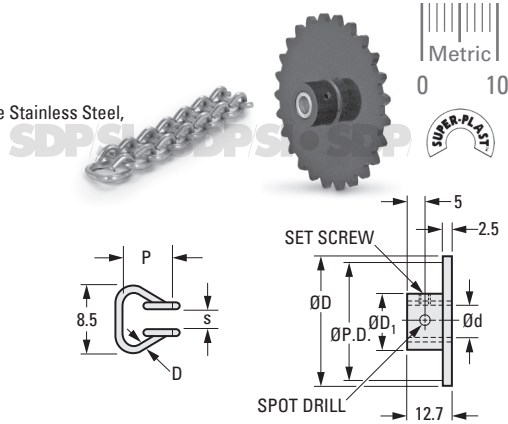


Fig. 1

Fig. 2

METRIC COMPONENT

| Catalog Number | Material | P Pitch | Links Per Meter | D Wire Dia. | s Inside Width | Yield Point N |
|--|--|---------|-----------------|-------------|----------------|---------------|
| Fig. 1 Ladder Chains - Priced Per Meter | | | | | | |
| A 6C 8M18 | Steel, Galvanized | 7.26 | 138 | 1.2 | 3.2 | 178 |
| A 6B 8M18 | Brass | | | | | 111 |
| A 6C88M18 | High-Tensile Stainless Steel, 400 Series | | | | | 333 |
| A 6Y 8M18 | Stainless Steel, 300 Series | | | | | 178 |

| Catalog Number | No. of Teeth | P.D. | D Dia. | d Bore +0.025 0 | D ₁ Hub Dia. |
|-------------------------|--------------|------|--------|-----------------|-------------------------|
| Fig. 2 Sprockets | | | | | |
| A 6Z 8M181304 | 13 | 30.3 | 35.15 | 4 | 16 |
| A 6Z 8M181406 | 14 | 32.6 | 37.44 | 6 | |
| A 6Z 8M181806 | 18 | 41.8 | 46.61 | 6 | |
| A 6Z 8M182408 | 24 | 55.6 | 60.43 | 8 | 19 |
| A 6Z 8M183606 | 36 | 83.3 | 88.09 | 6 | |

