

CHAIN TENSIONERS • SPROCKET WITH BALL BEARING

SDP/SI

SPRING-LOADED
AUTOMATICALLY KEEPS TENSION CONSTANT
FOR 3/8" TO 1" PITCH ROLLER CHAINS

PHONE: 516.328.3300 • FAX: 516.326.8827 • WWW.SDP-SI.COM



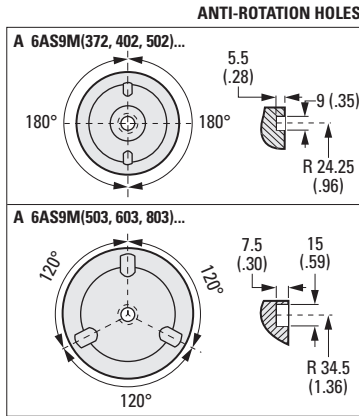
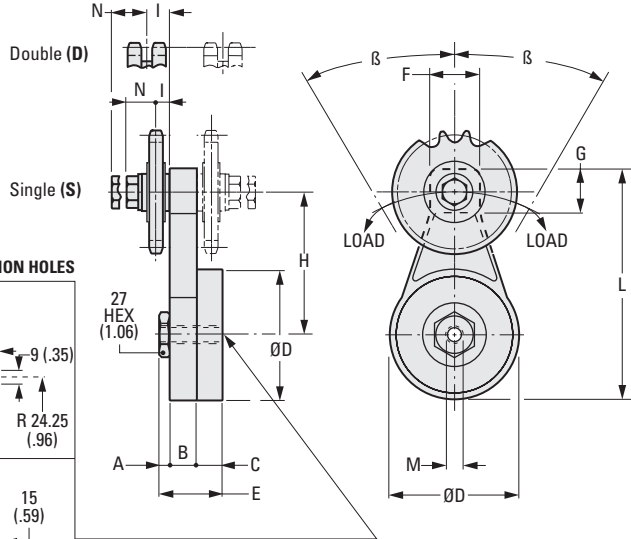
MATERIAL:

- Arm - Acetal, A 6TS9M3716021S
- Arm - High-Tensile Die-Cast Aluminum Alloy, A 6AR9M...
- Sprocket - Steel (Heat-Treated)



SPECIFICATION:

Max. Operating Temperature:
100°C (212°F)



METRIC COMPONENT

Dimensions in () are inch.

Catalog Number	Load N (lbf)		Chain Pitch	Teeth	A	B	C	D Dia.	E
	Min.	Max.							
A 6TS9M3716021S	30 (7)	80 (18)	3/8" X 7/32"	21	5 (.20)	15 (.59)	15 (.59)	65 (2.56)	35 (1.38)
A 6AS9M3724021S	50 (11)	180 (40)	3/8" X 7/32"	21	5 (.20)	15.3 (.60)	15.3 (.60)	70 (2.76)	30 (1.18)
A 6AS9M3724021D			16						
A 6AS9M4024016S			17						
A 6AS9M4024016D			17						
A 6AS9M5024017S			5/8" X 3/8"						
A 6AS9M5024017D									

Catalog Number (Ref.)	F	G	H	I	L	M	N	β
A 6TS9M3716021S	23 (.91)	23 (.91)	75.5 (2.97)	9.2 (.36)	119 (4.69)	M10	19.7 (.78)	45°
A 6AS9M3724021S	29.5 (1.16)	25 (.98)	86.5 (3.41)	9.2 (.36)	133.5 (5.26)	M10	19.7 (.78)	60°
A 6AS9M3724021D				11 (.43)			18 (.71)	
A 6AS9M4024016S				9.2 (.36)			19.7 (.78)	
A 6AS9M4024016D				12.5 (.49)			16.5 (.65)	
A 6AS9M5024017S				9.2 (.36)			19.7 (.78)	
A 6AS9M5024017D				15.2 (.60)			17.7 (.70)	

NOTE: Orientation of roller is supplied as shown. Can be repositioned if necessary.
Continued on the next page

2-21
D815

NEW

3

4

5

6

7

8

9

10

11

12

13

14

15

16

CHAIN TENSIONERS • SPROCKET WITH BALL BEARING

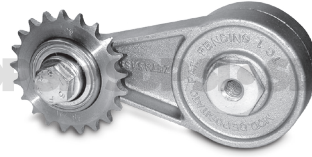
SDPSI

SPRING-LOADED
AUTOMATICALLY KEEPS TENSION CONSTANT
FOR 3/8" TO 1" PITCH ROLLER CHAINS

PHONE: 516.328.3300 • FAX: 516.326.8827 • WWW.SDP-SI.COM

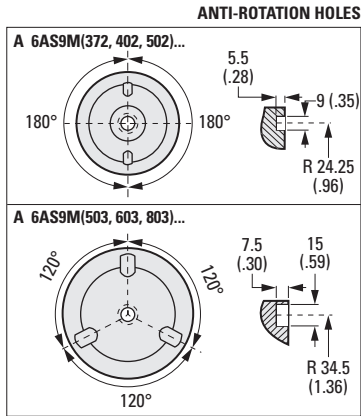
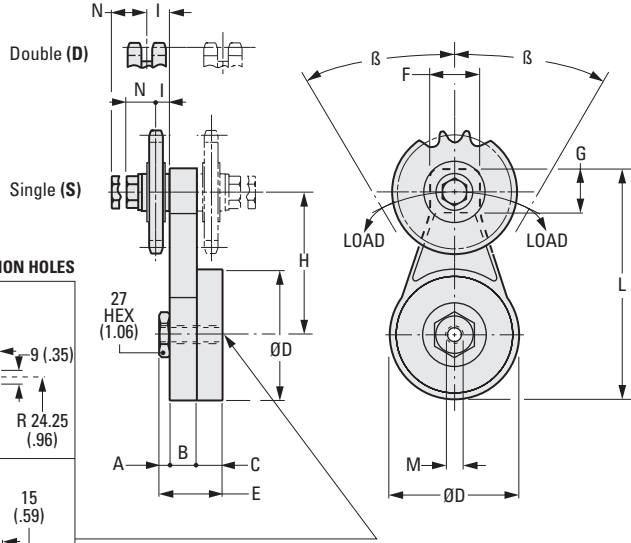
> MATERIAL:

- Arm - Acetal, **A 6TS9M3716021S**
- Arm - High-Tensile Die-Cast Aluminum Alloy, **A 6AR9M...**
- A 6AR9M...**
- Sprocket - Steel (Heat-Treated)



> SPECIFICATION:

Max. Operating Temperature:
100°C (212°F)



METRIC COMPONENT

Dimensions in () are inch.

Catalog Number	Load N (lbf)		Chain Pitch	Teeth	A	B	C	D Dia.	E
	Min.	Max.							
A 6AS9M5038017S	120 (27)	500 (112)	5/8" X 7/32"	17	7 (.28)	18 (.71)	18 (.71)	90 (3.54)	43 (1.69)
A 6AS9M5038017D									
A 6AS9M6038015S			3/4" X 7/16"	15					
A 6AS9M6038015D									
A 6AS9M8038012S			1" X 17 mm	12					
A 6AS9M8038012D									

Catalog Number (Ref.)	F	G	H	I	L	M	N	B
A 6AS9M5038017S	34 (1.34)	30 (1.18)	100 (3.94)	9.2 (.36)	159 (6.26)	M12	19.7 (.78)	45°
A 6AS9M5038017D				15.2 (.60)			17.7 (.70)	
A 6AS9M6038015S				9.2 (.36)			19.7 (.78)	
A 6AS9M6038015D				17.6 (.69)			19.2 (.76)	
A 6AS9M8038012S				11.3 (.44)			19.4 (.76)	
A 6AS9M8038012D				27.3 (1.1)			34.6 (1.36)	

NOTE: Orientation of roller is supplied as shown. Can be repositioned if necessary.

Continued from the previous page

2-22
D815

- NEW
- 1
- 2
- 3
- 4
- 5
- 6
- 7
- 8
- 9
- 10
- 11
- 12
- 13
- 14
- 15
- 16