

# BELT TENSIONERS • ROLLER WITH BALL BEARING

# SDPSI

SPRING-LOADED  
AUTOMATICALLY KEEPS TENSION CONSTANT

PHONE: 516.328.3300 • FAX: 516.326.8827 • WWW.SDP-SI.COM



### ► MATERIAL:

- Arm - Acetal, **A 6TR9M16...**
- Arm - High-Tensile Die-Cast Aluminum Alloy, **A 6AR9M...**

### ► MATERIAL CODE:

#### Roller

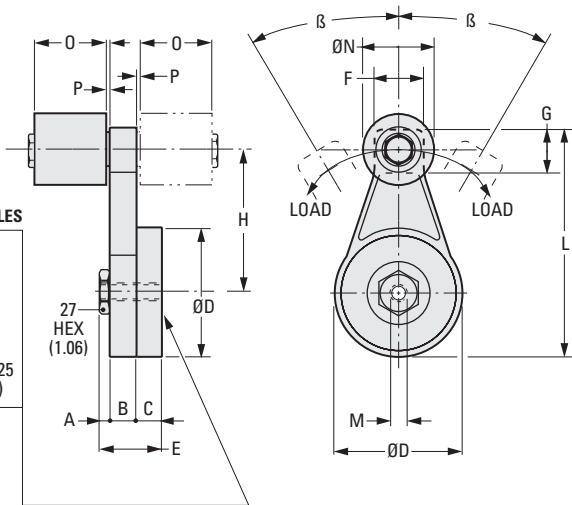
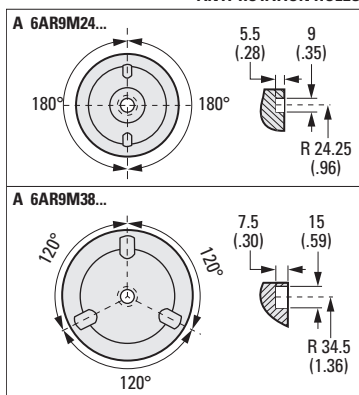
- A** Aluminum
- N** Nylon
- S** Steel (Zinc Plated)



### ► SPECIFICATIONS:

- Max. Operating Temperature:**  
Aluminum and Steel Rollers: 100°C (212°F)  
Nylon Rollers: 60°C (140°F)

#### ANTI-ROTATION HOLES



**NEW**

3

4

5

6

7

8

9

10

11

12

13

14

15

16

### METRIC COMPONENT

Dimensions in ( ) are inch.

Catalog Number	Load N (lbf)		A	B	C	D Dia.	E	F	G
	Min.	Max.							
A 6TR9M16030 <input type="checkbox"/>	30	80	5 (.20)	15	15	65	35 (1.38)	23	23
A 6TR9M16040N <input type="checkbox"/>	(7)	(18)		(.59)	(.59)	(2.56)		(.91)	(.91)
A 6TR9M16050 <input type="checkbox"/>									
A 6AR9M24045N <input type="checkbox"/>	50	180		15	15	70		29.5	25
A 6AR9M24050 <input type="checkbox"/>	(11)	(40)		(.59)	(.59)	(2.76)		(1.16)	(.98)
A 6AR9M38050 <input type="checkbox"/>	120	500	7	18	18	90	43	34	30
A 6AR9M38060 <input type="checkbox"/>	(27)	(112)	(.28)	(.71)	(.71)	(3.54)	(1.69)	(1.34)	(1.18)

Catalog Number (Ref.)	H	L	M	N Dia.	O	P	β
A 6TR9M16030 <input type="checkbox"/>	75.5 (2.97)	118 (4.65)	M8x1.25	30 (1.18)	35 (1.38)	2.5 (1.0)	45°
A 6TR9M16040N <input type="checkbox"/>			M10x1.50	40 (1.57)	45 (1.77)	6 (.24)	
A 6TR9M16050 <input type="checkbox"/>			M12x1.75	50 (1.97)	50 (1.97)	2.5 (1.0)	
A 6AR9M24045N <input type="checkbox"/>	86.5 (3.41)	133.5 (5.26)	M10x1.50	40 (1.57)	45 (1.77)	6 (.24)	30°
A 6AR9M24050 <input type="checkbox"/>			M12x1.75	50 (1.97)	50 (1.97)	2.5 (1.0)	
A 6AR9M38050 <input type="checkbox"/>	100	159	M12x1.75	50 (1.97)	50 (1.97)	2.5 (1.0)	30°
A 6AR9M38060 <input type="checkbox"/>	(3.94)	(6.26)		60 (2.36)	60 (2.36)		

**NOTES:** 1. Orientation of roller is supplied as shown. Can be repositioned if necessary.  
2. Fill in the box with the desired roller material code to complete the catalog number.

