

TENSIONER ARMS

SDP/SI

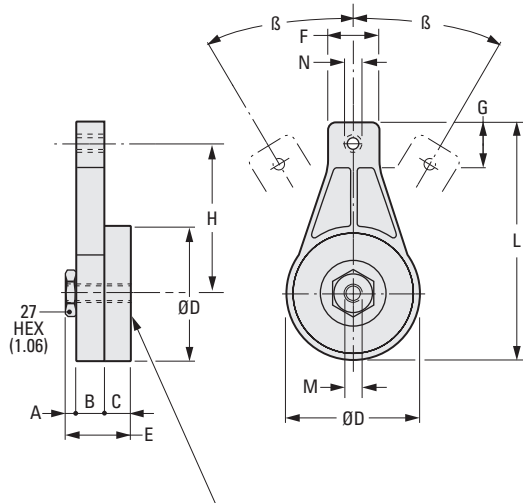
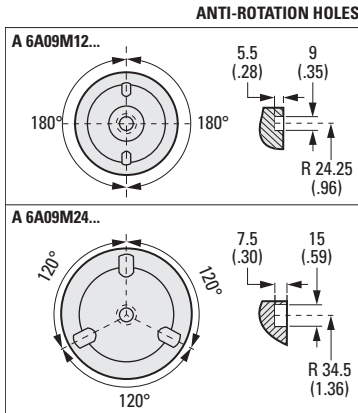
SPRING-LOADED
AUTOMATICALLY KEEPS TENSION CONSTANT

PHONE: 516.328.3300 • FAX: 516.326.8827 • WWW.SDP-SI.COM



> MATERIAL:

- Arm - Acetal, **A 6Z09M...**
- Arm - High-Tensile Die-Cast Aluminum Alloy, **A 6A09M...**



METRIC COMPONENT

Dimensions in () are inch.

Catalog Number	Load N (lbf)		A	B	C	D Dia.	E	F	G
	Min.	Max.							
A 6Z09M08016008	80 (18)	160 (36)	5 (.20)	15 (.59)	15 (.59)	63.3 (2.49)	36 (1.42)	23 (.91)	23 (.91)
A 6Z09M08016010									
A 6Z09M08016012									
A 6A09M12024010	120 (27)	240 (54)	7 (.28)	18 (.71)	18 (.71)	89.5 (3.52)	43 (1.69)	34 (1.34)	30 (1.18)
A 6A09M12024012									
A 6A09M12024016	240 (54)	380 (85.5)	100 (3.94)	159 (6.26)	159 (6.26)	200 (7.87)	100 (3.94)	34 (1.34)	30 (1.18)
A 6A09M24038010									
A 6A09M24038012	100 (3.94)	380 (85.5)	159 (6.26)	159 (6.26)	159 (6.26)	200 (7.87)	100 (3.94)	34 (1.34)	30 (1.18)
A 6A09M24038016									
A 6A09M24038020	100 (3.94)	380 (85.5)	159 (6.26)	159 (6.26)	159 (6.26)	200 (7.87)	100 (3.94)	34 (1.34)	30 (1.18)
A 6A09M24038020									

Catalog Number (Ref.)	H	L	M	N	B
A 6Z09M08016008	75.5 (2.97)	118 (4.65)	M10	M8	45°
A 6Z09M08016010				M10	
A 6Z09M08016012				M12	
A 6A09M12024010	86.5 (3.41)	133.5 (5.26)	M10	M10	
A 6A09M12024012				M12	
A 6A09M12024016	86.5 (3.41)	133.5 (5.26)	M10	M16	
A 6A09M24038010				M10	
A 6A09M24038012	100 (3.94)	159 (6.26)	M12	M12	30°
A 6A09M24038016				M16	
A 6A09M24038016				M16	
A 6A09M24038020				M20	

Rev: 5.19.15 JC

2-16A

- I
- R
- T
- 1
- NEW
- 3
- 4
- 5
- 6
- 7
- 8
- 9
- 10
- 11
- 12
- 13
- 14
- 15
- 16