

XL & L TIMING BELT CLAMP KITS • 1/5" & 3/8" PITCH



USED IN LINEAR DRIVES

PHONE: 516.328.3300 • FAX: 516.326.8827 • WWW.SDP-SI.COM

> MATERIAL:

Aluminum

> SPECIFICATIONS:

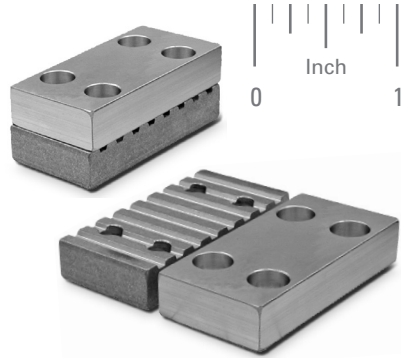
Timing Belt Clamp Kit includes:
Top and Bottom Plate and Hardware for Assembly

Hardware for kit includes:
Screws, Washers and Hex Nuts for Assembly

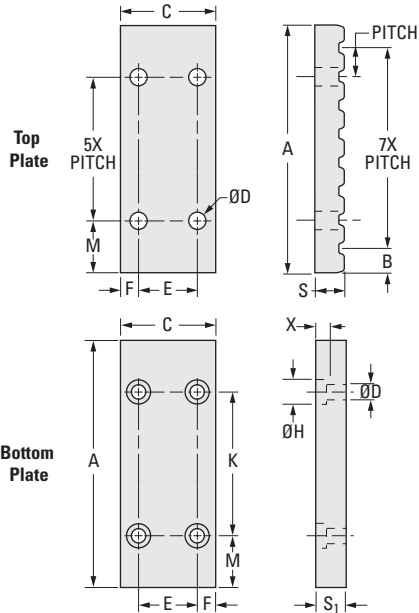
For Replacement hardware kit, order:

A16A 3-BOLTKIT XL 1/5 inch pitch

A16A 4-BOLTKIT L 3/8 inch pitch



XL • 1/5 Inch Pitch						
F in. (mm)	M in. (mm)	S in. (mm)	H in. (mm)	K in. (mm)	X in. (mm)	S ₁ in. (mm)
.290 (7.4)	.370 (9.4)	.320 (8.1)	.375 (9.5)	1.000 (25.4)	.190 (4.8)	.380 (9.65)
L • 3/8 Inch Pitch						
.370 (9.4)	.685 (17.4)	.590 (15)	.531 (13.5)	1.875 (47.6)	.320 (0.81)	.630 (16)



INCH COMPONENT

Catalog Number	Belt Width in. (mm)	A in. (mm)	B in. (mm)	C in. (mm)	D in. (mm)	E in. (mm)	Toothed + Flat Plate Total Weight (with hardware) lb. (kg)
XL • 1/5 Inch Pitch - Sold as Kit							
A16A 3-025	.25 (6.35)	1.740 (44.2)	.170 (4.3)	1.09 (27.7)	.221 (5.6)	.51 (13)	.12 (0.054)
A16A 3-031	.3125 (7.94)	1.740 (44.2)	.170 (4.3)	1.15 (29.2)	.221 (5.6)	.57 (14.5)	.13 (0.060)
A16A 3-037	.375 (9.53)	1.740 (44.2)	.170 (4.3)	1.22 (31)	.221 (5.6)	.64 (16.3)	.14 (0.064)
L • 3/8 Inch Pitch - Sold as Kit							
A16A 4-050	.500 (12.7)	3.245 (82.4)	.310 (7.9)	1.62 (41.1)	.344 (8.7)	.88 (22.4)	.58 (0.263)
A16A 4-075	.750 (19.1)	3.245 (82.4)	.310 (7.9)	1.87 (47.5)	.344 (8.7)	1.13 (28.7)	.67 (0.304)

