

ISO CLASS 6
35° SPIRAL ANGLE
MODULE 2, 2.5, 3 & 4
20° PRESSURE ANGLE

PHONE: 516.328.3300 • FAX: 516.326.8827 • WWW.SDP-SI.COM

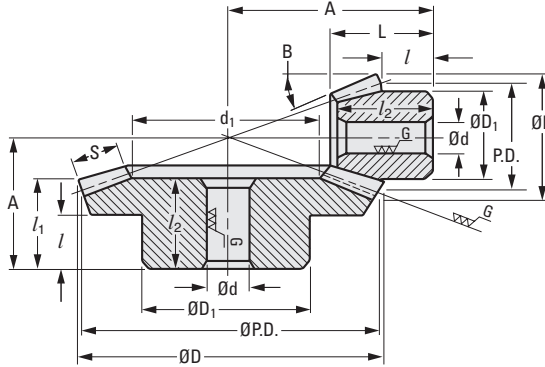


> MATERIAL:

AISI 1045 Steel, Tooth Surfaces
Induction Hardened to HRC 48...53

> FINISH:

Black Oxide, except Ground Bore
and Tooth Surfaces



METRIC COMPONENT

Catalog Number	Mod.	No. of Teeth	d Bore H7	P.D.	D Dia.	S Face Width	L Length	D ₁ Hub Dia.	l Hub Proj.	A Mtg. Dist.	d ₁	l ₁ Crown to Back	l ₂ Lngth. of Bore	B Face Angle
Ratio 2:3														
S13S2YMK20G20L10	2	20	10	40	43.55	11	24.91	30	11.67	45	21.34	16.18	22	37° 40'
S13S2YMK20G30R12		30	12	60	61.6		26.6	35	15	40	37.56	21.2	23	60° 43'
S13S2YMK25G20L12	2.5	20	12	50	54.53	15	30.88	40	14.17	55	27.42	18.98	28	37° 41'
S13S2YMK25G30R15		30	15	75	77.09		33.86	45	18	50	45.61	26.56	30	61° 01'
S13S2YMK30G20L16	3	20	16	60	65.58	17	40.17	45	20	70	34.71	26.86	37	38° 45'
S13S2YMK30G30R16		30	16	90	92.21		35.34	50	17	55	57.14	26.66	31	59° 20'
S13S2YMK40G20L20	4	20	20	80	87.34	20	48.17	60	23.33	90	46.89	32.45	43	38° 25'
S13S2YMK40G30R20		30	20	120	122.85		47.49	70	25	75	78.59	37.14	40	58° 52'
Ratio 1:2														
S13S3YMK20G20L12	2	20	12	40	44.1	15	34	32	18	60	21.11	21	32	29° 58'
S13S3YMK20G40R12		40	12	80	81		32.2	40	18	45	48.8	26	27	65° 20'
S13S3YMK25G20L12	2.5	20	12	50	55.2	20	43.61	40	22.5	75	20.53	26.3	40	30° 18'
S13S3YMK25G40R15		40	15	100	101.27		39.65	50	20	55	59.26	31.27	34	65° 50'
S13S3YMK30G20L16	3	20	16	60	66.07	22	50.63	50	27.5	90	29.63	31.52	47	29° 50'
S13S3YMK30G40R20		40	20	120	121.48		45.76	60	24	65	73.78	36.47	38	65° 03'
S13S3YMK40G20L20	4	20	20	80	88.5	28	66.24	60	35	120	42.8	42.12	62	30° 47'
S13S3YMK40G40R20		40	20	160	162.07		53.68	70	28	80	102.44	42.07	45	65° 30'
Ratio 1:3														
S13S4YMK20G15L10	2	15	10	30	34.78	15	29.66	24	14	60	19.15	15.8	29	22° 50'
S13S4YMK20G45R12		45	12	90	90.67		30.29	40	17	40	59.07	26.01	26	73° 25'
S13S4YMK25G15L12	2.5	15	12	37.5	43.36	20	38.27	30	17.5	75	20.48	19.73	37	22° 22'
S13S4YMK25G45L15		45	15	112.5	113.32		38.25	50	22	50	72.82	32.47	35	73° 13'
S13S4YMK30G15L15	3	15	15	45	52.08	23	44.98	38	21.33	90	28.52	23.68	44	22° 32'
S13S4YMK30G45L20		45	20	135	135.99		40.59	60	20	55	88.2	33.98	35	73° 18'

NOTE: R or L in catalog number indicates right- or left-hand direction of helix.

