

1:1 RATIO
 HEAVY-DUTY SEALED BALL BEARINGS
 RIGHT- OR LEFT-HAND ROTATION
 RATED SPEEDS UP TO 1800 RPM
 O-RING SEALED GEAR CASE
 KEYS INCLUDED
 SIMPLY ADD KEYED SHAFTING

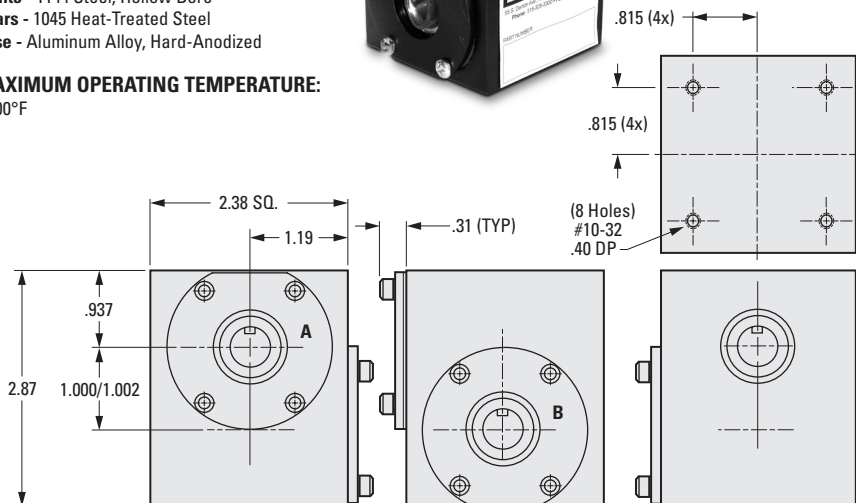


► MATERIAL:

- Shafts** - 1144 Steel, Hollow Bore
- Gears** - 1045 Heat-Treated Steel
- Case** - Aluminum Alloy, Hard-Anodized

► MAXIMUM OPERATING TEMPERATURE:

+200°F



► EASY SIZING FOR 1:1 and 3:2 RATIO DRIVES*

As a Gear Reducer:

$$1:1 \text{ Ratio Input Torque, lbf in.} = \frac{\text{Output Torque}}{.60}$$

$$3:2 \text{ Ratio Input Torque, lbf in.} = \frac{\text{Output Torque}}{.78}$$

As a Speed Increaser:

$$3:2 \text{ Ratio Input Torque, lbf in.} = \frac{\text{Output Torque}}{.35}$$

*These equations are supplied as a guide.

It is suggested that each application be prototyped and tested.

rpm	Output Torque lbf in.
33	59
50	51
100	41
150	36
200	32
300	28
400	21
500	19
600	18
1000	15
1200	14
1800	12

INCH COMPONENT

Catalog Number	Type	Shaft Rotation		Hollow "A" Bore Size	Hollow "B" Bore Size
		"A"	"B"		
1:1 Ratio					
S991MY-5050LH	LH	CCW	CCW	1/2	1/2
S991MY-5050RH	RH	CCW	CW		
S991MY-5062LH	LH	CCW	CCW	1/2	5/8
S991MY-5062RH	RH	CCW	CW		
S991MY-6262LH	LH	CCW	CCW	5/8	5/8
S991MY-6262RH	RH	CCW	CW		

