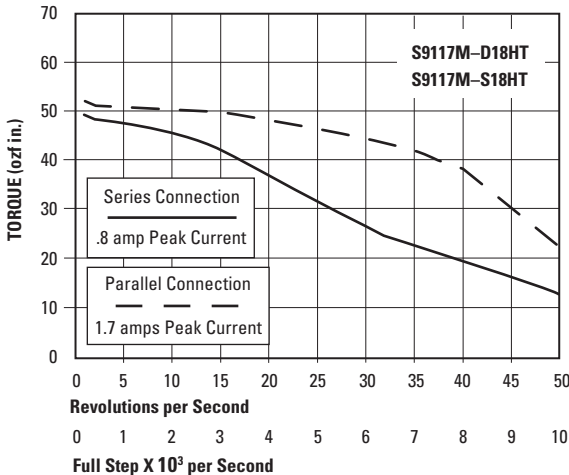
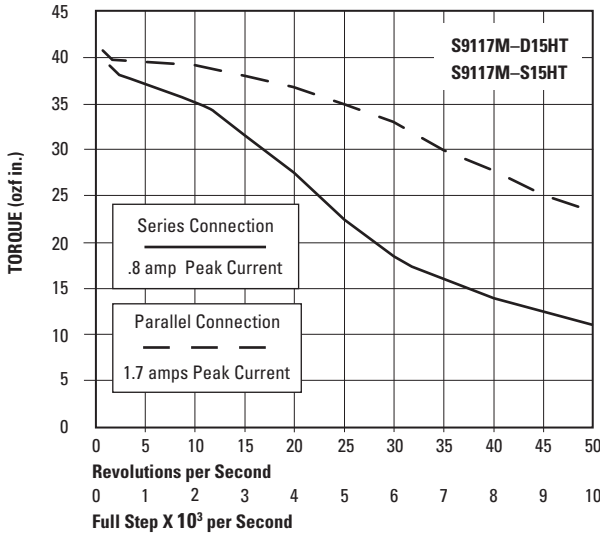
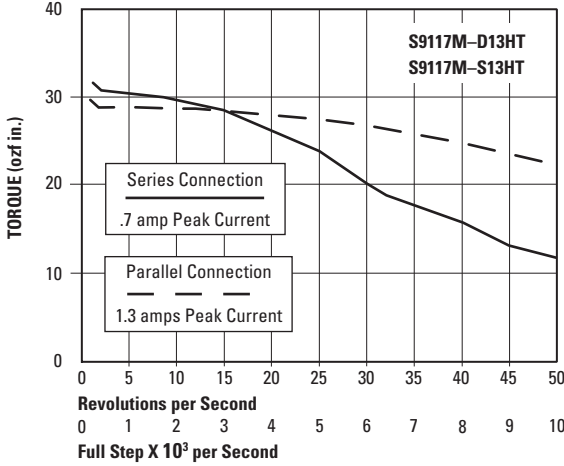


MAXIMUM THEORETICAL TORQUE CURVES
DRIVE SETTING 80V DC

PHONE: 516.328.3300 • FAX: 516.326.8827 • WWW.SDP-SI.COM



- I
- R
- T
- 1
- 2
- 3
- 4
- 5
- 6
- 7
- 8
- 9
- 10
- 11
- 12
- 13
- 14**
- 15
- 16

1.8° STEP ANGLES
SINGLE- OR DOUBLE-ENDED SHAFTS

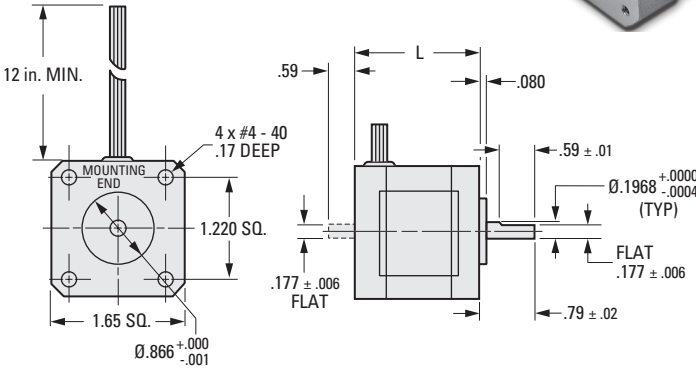
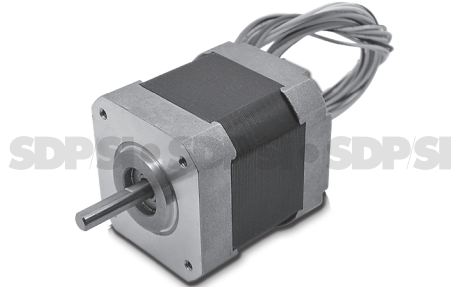
PHONE: 516.328.3300 • FAX: 516.326.8827 • WWW.SDP-SI.COM

> **VOLTAGE:**

80V DC Max. Drive

> **SPECIFICATION:**

Leads - 8 (see wiring diagram page)
Optimized for microstepping



INCH COMPONENT

Catalog Number *	Motor Conn.	L	Min. Holding Torque ozf in.	Step Angle	Phase Current amps	Phase Inductance mH ± 20%	Phase Resistance ohms ± 10%	Voltage V DC	Rotor Inertia oz. in. ²	Weight lb.
S9117M-D13HT S9117M-S13HT	Series	1.30	31.4	1.8	.67	11.2	8.4	5.7	.19	.44
	Parallel		31.4		1.34	2.8	2.1	2.8		
	Unipolar		22.2		.95	2.8	4.2	4.0		
S9117M-D15HT S9117M-S15HT	Series	1.54	51.0	1.8	.85	14.4	6.6	5.7	.29	.57
	Parallel		51.0		1.70	3.6	1.7	2.8		
	Unipolar		36.1		1.20	3.6	3.3	4.0		
S9117M-D18HT S9117M-S18HT	Series	1.85	62.8	1.8	.85	12.0	6.6	5.7	.37	.73
	Parallel		62.8		1.70	3.0	1.7	2.8		
	Unipolar		44.4		1.20	3.0	3.3	4.0		

* Catalog Numbers with **D** in the suffix have **double shafts**; **S** in the suffix denotes **single shaft**.

- I
- R
- T
- 1
- 2
- 3
- 4
- 5
- 6
- 7
- 8
- 9
- 10
- 11
- 12
- 13
- 14
- 15
- 16