

RIGHT ANGLE HELICAL GEAR DRIVES



1:1 RATIO
 RATED SPEEDS UP TO 600 rpm
 PANEL-MOUNTED
 LIGHT-DUTY

PHONE: 516.328.3300 • FAX: 516.326.8827 • WWW.SDP-SI.COM

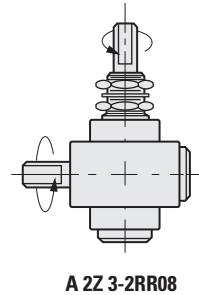
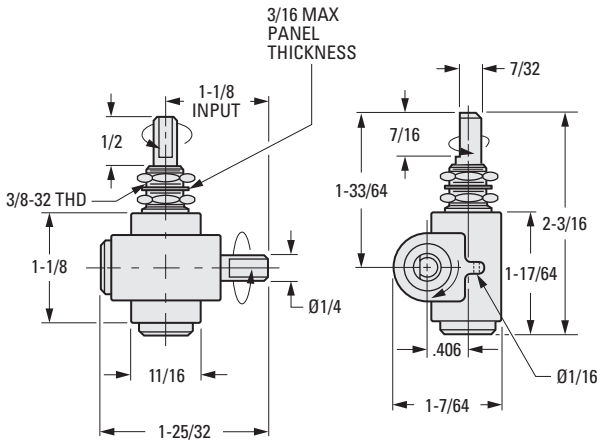
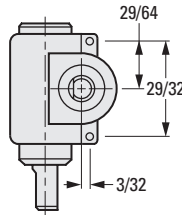
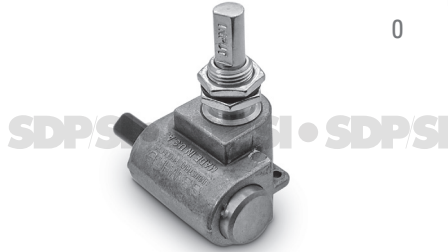


> MATERIAL:

- Housing - Aluminum Alloy
- Gears - Steel, Helical
- Shafts - Steel
- Bearings - Oilite

> SPECIFICATION:

Backlash: 6° Nominal



INCH COMPONENT

Catalog Number	Shaft Extension	Shaft Dia.	Gear Ratio	Torque Capacity lbf in.			Approx. Weight oz.
				Ultimate Static	Manual	Dynamic	
A 2Z 3-2SR08	Right	1/4	1:1	25	20	3	3-1/2
A 2Z 3-2RR08	Left						

