

WORM GEAR SPEED REDUCERS



COMMERCIAL QUALITY
SINTERED BEARINGS
MULTIPLE RATIOS
RATED SPEEDS UP TO 1800 rpm
BRONZE DRIVEN GEAR

PHONE: 516.328.3300 • FAX: 516.326.8827 • WWW.SDP-SI.COM



Product Finder



> MATERIAL:

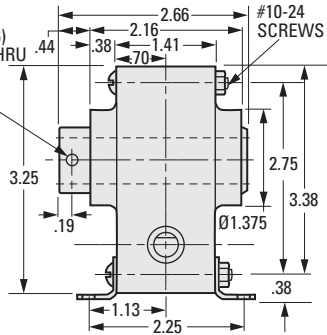
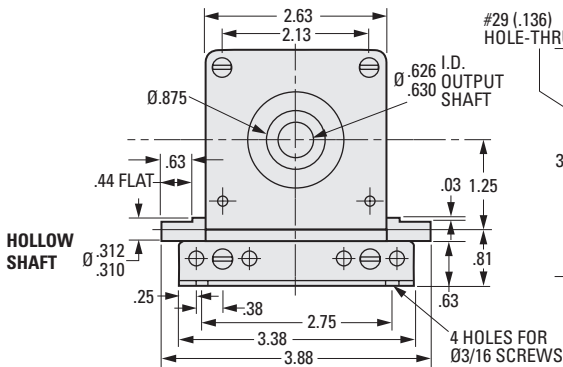
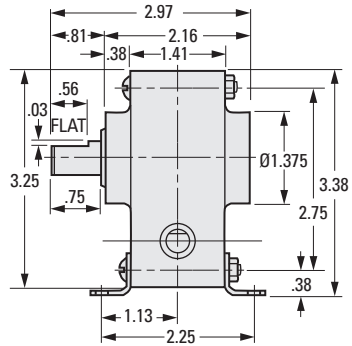
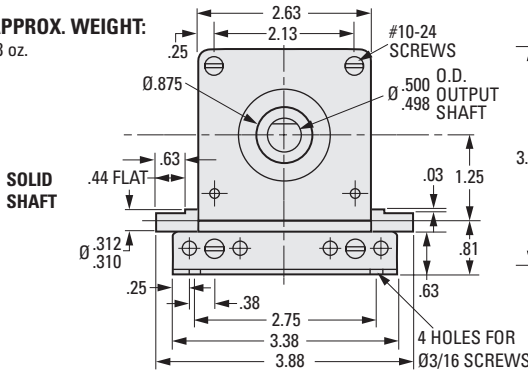
- Case** - Compression-Molded Glass-fill Polyester
- Gears** - Precision-Hobbed Bronze Driven Gear
Ground Steel Worm - Right-Hand
- Bearings** - Input and Output Shafts - Sintered Bronze
- Shafts** - Ground & Polished Steel
- Lubrication** - Gears are Pre-lubricated with Grease
- Seals** - Input Shafts are sealed to retain lubrication and keep out dirt

> DIMENSIONS:

3-3/8 High x 3-7/8 Wide x 3 Deep

> APPROX. WEIGHT:

28 oz.



INCH COMPONENT

Catalog Number		1800 rpm Input				
Solid Shaft	Hollow Shaft	Ratio	Input hp	Output hp	Output rpm	Output Torque lb. in.
A 2B 7-S035	A 2B 7-H035	3.5:1	.84	.82	514	102
A 2B 7-S100	A 2B 7-H100	10:1	.33	.30	180	102
A 2B 7-S150	A 2B 7-H150	15:1	.27	.24	120	102
A 2B 7-S200	A 2B 7-H200	20:1	.225	.18	90	105
A 2B 7-S300	A 2B 7-H300	30:1	.15	.12	60	120
A 2B 7-S400	A 2B 7-H400	40:1	.10	.08	45	112
A 2B 7-S480	A 2B 7-H480	48:1	.09	.06	38	96
A 2B 7-S600	A 2B 7-H600	60:1	.075	.035	30	75

