

## RIGHT ANGLE WORM GEAR DRIVES

PHONE: 516.328.3300 • FAX: 516.326.8827 • WWW.SDP-SI.COM

INPUT SPEEDS UP TO 2000 rpm  
MULTIPLE RATIOS

### > MATERIAL:

**Housing** - Aluminum Alloy,  
Chromate Conversion Finish

**Shafts** - Stainless Steel

**Bearings** - Sintered Bronze

**Worm Gear** - Steel

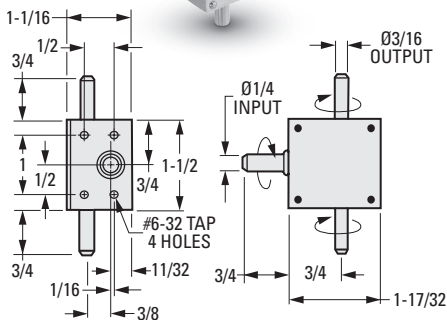
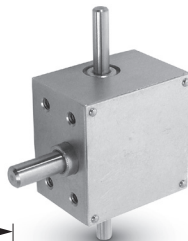
**Worm** - Steel

### > SPECIFICATIONS:

**Output Torque:** 200 ozf in.

**Maximum Backlash:** 5°

**Maximum Input Speed:** 2000 rpm



### INCH COMPONENT

Catalog Number	Gear Ratio
A 2Z 4-050	5:1
A 2Z 4-100	10:1
A 2Z 4-200	20:1

## RIGHT ANGLE BEVEL GEAR DRIVES

INPUT SPEEDS UP TO 2000 rpm  
MULTIPLE RATIOS

### > MATERIAL:

**Housing** - Aluminum Alloy,  
Chromate Conversion Finish

**Shafts** - Stainless Steel

**Bearings** - Sintered Bronze

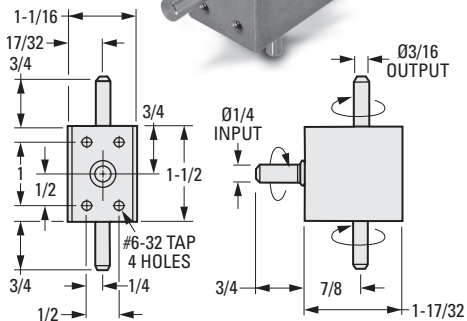
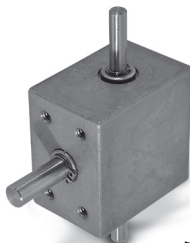
**Bevel Gears** - Brass

### > SPECIFICATIONS:

**Output Torque:** 200 ozf in.

**Maximum Backlash:** 5°

**Maximum Input Speed:** 2000 rpm



### INCH COMPONENT

Catalog Number	Gear Ratio
S9914Y-G1566-01	1:1
S9914Y-G1566-02	2:1
S9914Y-G1566-03	3:1