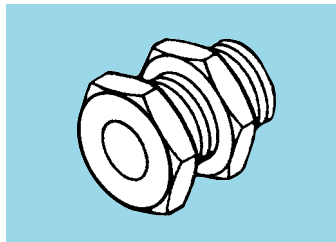
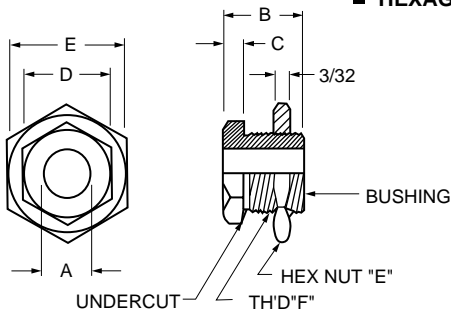


## ■ HEXAGONAL NUT



**MATERIAL:** Bushing – Brass, NickelPlated  
 – Aluminum, Black Anodized  
 Nut – Brass, Nickel Plated

Catalog Number		A	B	C	D	E	F Thread	Panel Thick
Brass Bushing	Aluminum Bushing							
A 9B42-D10	A 9A42-D10	.127	5/16	1/16	3/8	3/8	1/4-32	1/8
A 9B42-D14	A 9A42-D14		7/16					1/4
A 9B42-D18	—		9/16					3/8
A 9B42-D12	A 9A42-D12	.252	3/8	1/16	1/2	1/2	3/8-32	1/8
A 9B42-D16	A 9A42-D16		1/2					1/4
A 9B42-D20	—		5/8	1/16	1/2	1/2	3/8-32	3/8
A 9B42-D24	—		3/4					1/2
A 9B42-A11	—		11/32	3/32	1/2	1/2	3/8-32	1/8
A 9B42-A14	—		7/16					3/16
A 9B42-A18	—	9/16	1/4					

\*Threads not undercut