

SINTERED THRUST WASHERS



"S" SERIES

PHONE: 516.328.3300 • FAX: 516.326.8827 • WWW.SDP-SI.COM

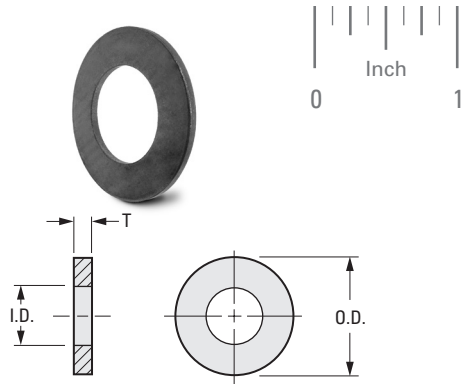
> MATERIAL:

Oil-Impregnated Bronze, Self-Lubricating

> SPECIFICATIONS:

* I.D. tolerances: up to & including 1.253 is $\pm .005$
over 1.253 & including 2.502 is $\pm .010$

** O.D. tolerances: up to & including 1.500 is $\pm .010$
over 1.500 & including 3.000 is $\pm .015, -0$
over 3.000 is $\pm .020, -0$



INCH COMPONENT

Catalog Number	I.D.*	O.D.**	T $\pm .0025$	
A 7B 7-S080702	.2550	.4375	1/16	
A 7B 7-S080802		.5000		
A 7B 7-S081002		.6250		
A 7B 7-S101002		.3150		
A 7B 7-S101202	.3150	.7500	1/8	
A 7B 7-S121002	.3850	.6250		
A 7B 7-S121001	.3800	.7500		1/32
A 7B 7-S121202				1/16
A 7B 7-S121204			1/8	
A 7B 7-S141202			1/16	
A 7B 7-S141204	.4400	1/8	1/8	
A 7B 7-S161202	.5050	1/16		
A 7B 7-S161406		.8750		3/16
A 7B 7-S161602		1/16		
A 7B 7-S161603		.5100	1.0000	3/32
A 7B 7-S161604	.5650	1.2500	1/8	
A 7B 7-S182002			1/16	
A 7B 7-S182004			1/8	
A 7B 7-S201602			1.0000	1/16
A 7B 7-S201604	.6280	1.0000	1/8	
A 7B 7-S201902			1/16	
A 7B 7-S201903			1.1875	3/32
A 7B 7-S201904			1/8	
A 7B 7-S202002	.6560	1.2500	1/16	
A 7B 7-S202004			1/8	
A 7B 7-S212402			1.5000	1/16
A 7B 7-S212404			1/8	
A 7B 7-S242002	.7530	1.2500	1/16	
A 7B 7-S242004			1/8	
A 7B 7-S242202			1.3750	1/16
A 7B 7-S242204			1/8	

Catalog Number	I.D.*	O.D.**	T $\pm .0025$
A 7B 7-S242208	.7530	1.3750	1/4
A 7B 7-S242503	.7650	1.5625	3/32
A 7B 7-S282402	.8905	1.5000	1/16
A 7B 7-S282404			1/8
A 7B 7-S283204	.8800	2.0000	1/8
A 7B 7-S283404	.8905	2.1250	
A 7B 7-S322402	1.0030	1.5000	1/16
A 7B 7-S322404			1/8
A 7B 7-S322406			3/16
A 7B 7-S322602	1.0155	1.6250	1/16
A 7B 7-S322802	1.0120	1.7500	1/8
A 7B 7-S322804			
A 7B 7-S323206	1.0160	2.0000	3/16
A 7B 7-S324604	1.0155	2.8750	1/8
A 7B 7-S343802	1.0625	2.3750	1/16
A 7B 7-S402704	1.2530	1.6900	1/8
A 7B 7-S403202	1.2650	2.0000	1/16
A 7B 7-S403204			1/8
A 7B 7-S403802			1/16
A 7B 7-S403804			1/8
A 7B 7-S405302	1.2550	3.3120	1/16
A 7B 7-S483204	1.5030	2.0000	1/8
A 7B 7-S484004	1.5050	2.5050	
A 7B 7-S485606	1.5100	3.5000	3/16
A 7B 7-S503904	1.5780	2.4375	1/8
A 7B 7-S563904	1.7550	2.4400	
A 7B 7-S564204	1.7650	2.6250	
A 7B 7-S644804	2.0110	3.0000	
A 7B 7-S644808			
A 7B 7-S655806	2.0310	3.6250	3/16
A 7B 7-S805204	2.5020	3.2500	1/8

8-26
D820

REV:
4/21/23

