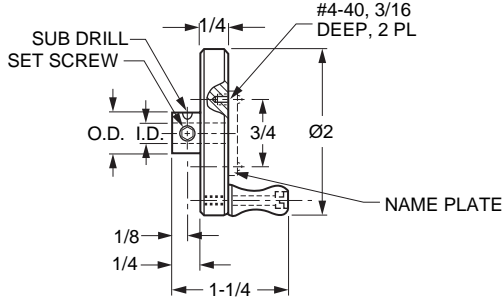


■ 2 INCH DIAMETER



MATERIAL: 2024 Aluminum, Black Anodized

Catalog Number	I.D. +.0005 -.0000	Hub O.D.	Set Screw	Sub Drill
S5901Y-GU-1	.1248	.312	#2-56	.029
S5901Y-GU-2	.1873	.375	#4-40	.040
S5901Y-GU-3	.2498	.500	#6-32	.086

- NOTES 1:** Other bores are available on special order.
2: Name plates can be ordered separately.

Did You Know?

... That Section 7, "Universal Joints," offers a wide variety of universal joints: metal, plastic, single and double joints, telescoping, etc.