

BASE-MOUNTED

PHONE: 516.328.3300 • FAX: 516.326.8827 • WWW.SDP-SI.COM

> MATERIAL:

- Base** - Steel, Zinc Plated
- Drums** - Acetal
- Springs** - 301 Stainless Steel, Hi-Yield
- Cable** - Ø.031 Galvanized Steel, Nylon Coated to Ø.047



Spring motor assemblies provide linear and rotary output as product components of experimental prototypes. A constant torque motor consists of a Neg'ator band, take-up drum, larger output drum, baseplate and cable.

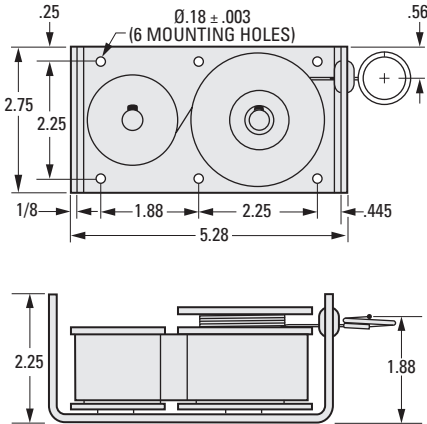


Fig. 1

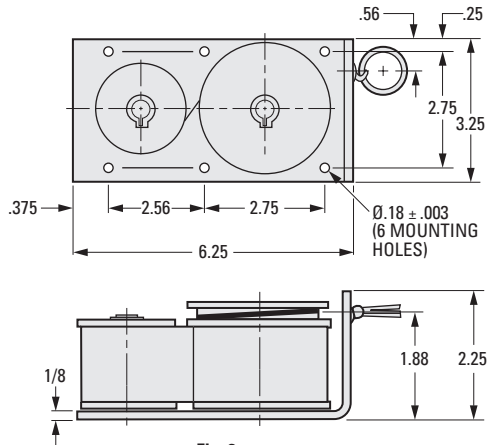


Fig. 2

INCH COMPONENT

Catalog Number	Fig. No.	Spring Torque lb-in.	Cable Tension lbs	Cable Length in.	No. of Rev's	Endurance (Min. No. of Cycles)
A 3Z52-ML2476	1	6.65	7.5	42	8	6000
A 3Z52-ML2478		7.95	10.0	37	7	5000
A 3Z52-ML2480		11.90	15.0	33	6	2500
A 3Z52-ML2482	2	15.50	15.0	160	29	2000
A 3Z52-ML2484		13.90	13.5			2500
A 3Z52-ML2486		10.60	10.0	184	33	4000
A 3Z52-ML2488		8.06	7.5	207	36	6000
A 3Z52-ML2490		5.62	5.0	235	40	9000
A 3Z52-ML2492		3.63	3.1	273	45	15000

NOTE: Torque and cable loads are nominal.

