

> MATERIAL:

- Stainless Steel
- Ball Bearings



Sterling Instrument standard catalog end gears which are ordered at the same time as the below differential(s) will be assembled to the differential free of charge. Consult the differential end gear section of this catalog for available standard end gears. 10 arc minutes maximum backlash between end gears.

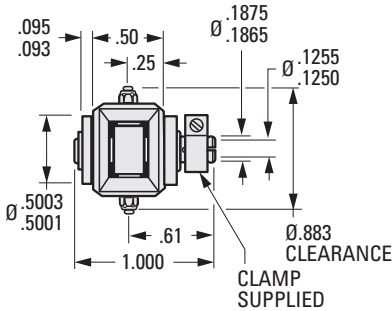


Fig. 1

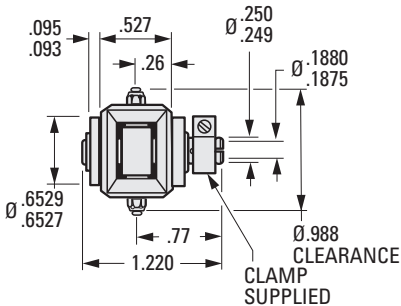
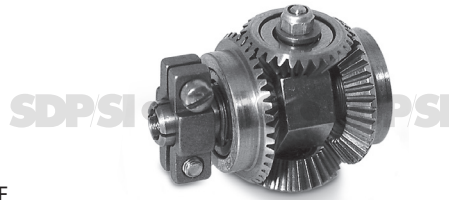


Fig. 2

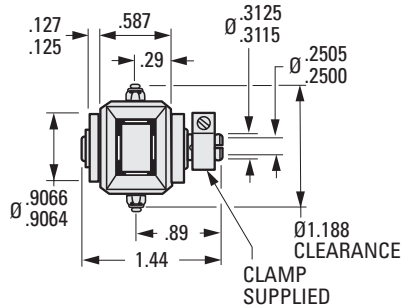


Fig. 3

INCH COMPONENT

Catalog Number	Fig. No.	Pitch	Shaft Dia.	Max. Torque Rating ozf in.	Max. Operating Speed rpm	Breakaway Torque ozf in.	Weight oz.
S9430A-T701	1	64	1/8	25	900	.07	.6
S9440A-T702	2		3/16	27			.8
S9460A-T703	3		1/4	28			.15

- I
- R
- T
- 1
- 2
- 3
- 4
- 5
- 6
- 7
- 8
- 9
- 10
- 11
- 12
- 13
- 14

15

16