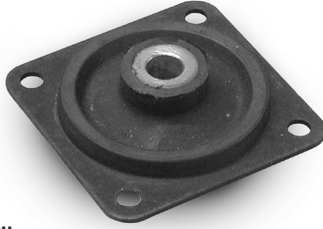


FOR LOADS OF 3 TO 26 lbf

PHONE: 516.328.3300 • FAX: 516.326.8827 • WWW.SDP-SI.COM

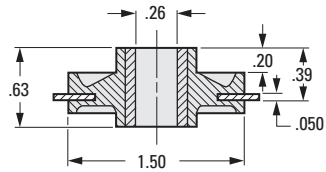
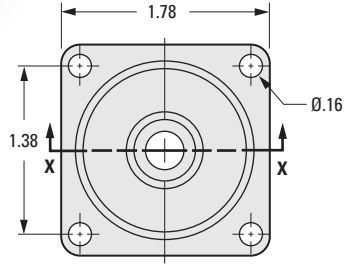
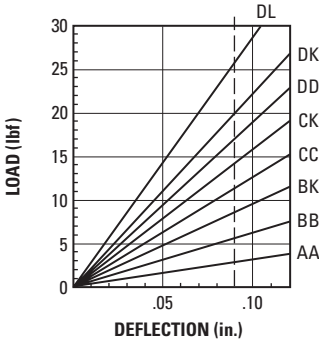
> MATERIAL:

Isolator - Natural Rubber
Base - Steel or Aluminum

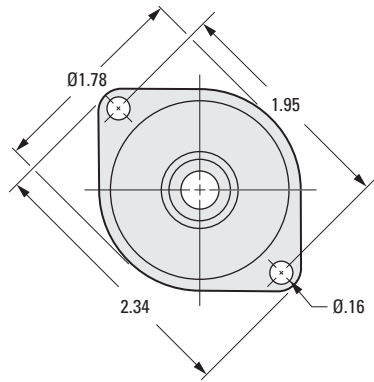


LOAD/DEFLECTION GRAPH

Maximum Recommended Static Load/Deflection



SECTION X-X



INCH COMPONENT

Catalog Number

Aluminum	Steel	Base Type
A10Z40-1215BB1	A10Z40-1215BB3	Square
A10Z40-1215BK1	—	
A10Z40-1215CC1	A10Z40-1215CC3	
A10Z40-1215CK1	A10Z40-1215CK3	
A10Z40-1215DD1	—	
A10Z40-1215DK1	—	
A10Z40-1215DL1	A10Z40-1215DL3	Diamond
A10Z40-1215AA2	A10Z40-1215AA4	
A10Z40-1215BB2	A10Z40-1215BB4	
A10Z40-1215BK2	A10Z40-1215CC4	
A10Z40-1215CC2	A10Z40-1215CK4	
—	A10Z40-1215DD4	
A10Z40-1215DD2	A10Z40-1215DK4	

Load Rating	Maximum Load lbf	Forcing Frequency in Cycles per Minute						
		1600	1750	2000	2500	3000	3500	4000
		Minimum Load for 81% Isolation (lbf)						
AA	3	3	2	1.7	1.0	.8	.6	.4
BB	6	6	5	3.5	2.0	1.6	1.2	.8
BK	9	9	7	5.0	3.0	2.4	1.7	1.3
CC	12	12	9	7.0	4.5	3.0	2.2	1.7
CK	14	14	11	9.0	5.5	4.0	2.8	2.2
DD	17	17	13	11.0	6.5	5.0	3.4	2.6
DK	20	20	16	12.0	8.0	5.5	4.0	3.0
DL	26	26	20	16.0	10.0	7.0	5.0	4.0

NOTES: 1. The above platemounts are available in Neoprene as a special order (200 pc. minimum).
 2. The above platemounts may be discontinued but are available in large quantities.

