

> MATERIAL:

- Bushing** - Aluminum
- Clamp** - Aluminum
- Bellows** - Stainless Steel

> FEATURES:

- Backlash-free torque transmission.
- High torsional rigidity.
- High-speed torque transmission.
- Low-mass moment of inertia.

> FOR COMPLETE COUPLING

INCH COMPONENT CATALOG NUMBER

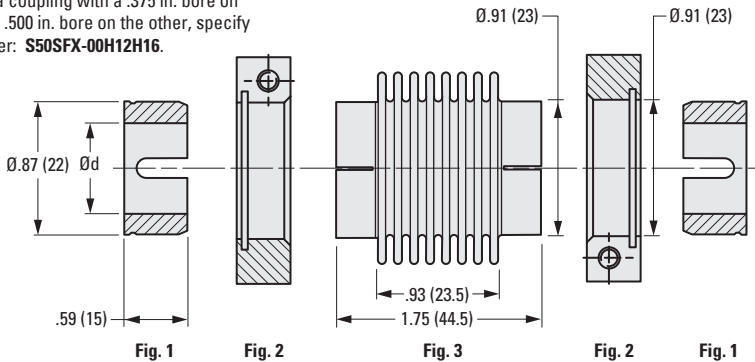
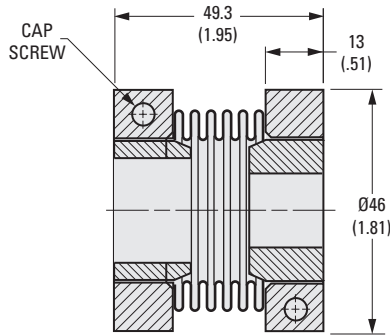
S50SFX-00H

Bore 1 Bore 2

* When creating a Catalog Number, **Bore 1** must be smaller than or equal to **Bore 2**.

Bore Code	Bore
12	.375
16	.500
20	.625
24	.750

Example: For a coupling with a .375 in. bore on one side and a .500 in. bore on the other, specify Catalog Number: **S50SFX-00H12H16**.



NOTE: Dimensions in () are mm.

> FOR INDIVIDUAL COMPONENTS

INCH COMPONENT

Catalog Number	Material	d Bore	Transmissible Torque lbf ft.
Fig. 1 Bushing			
S50SFX-00038118	Aluminum	.3756 / .3750	8
S50SFX-00050118		.5007 / .5000	
S50SFX-00063118		.6257 / .6250	12
S50SFX-00075118		.7508 / .7500	
Fig. 2 Clamp			
S35SFX-00122169	Aluminum	—	—
Fig. 3 Bellows			
S60SFX-00213122	Stainless Steel	—	—