

CONSTANT-VELOCITY  
REDUCES ROTATIONAL VIBRATION  
HIGH TORSIONAL STIFFNESS

PHONE: 516.328.3300 • FAX: 516.326.8827 • WWW.SDP-SI.COM



**› MATERIAL:**

- Hubs - Aluminum
- Control-Flex Member - Acetal
- Pins - Hardened Alloy Steel
- Socket Head Screws - Alloy Steel

**› MISALIGNMENT COMPENSATION:**

Max. Angular Offset: 1.5°

**› OPERATING TEMPERATURE:**

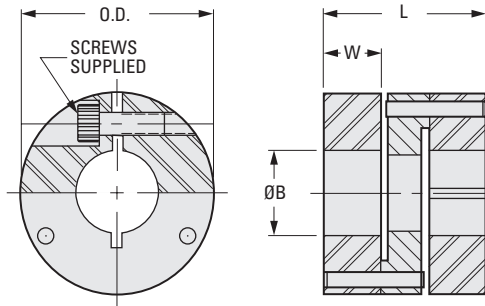
-10°F to +150°F

**› FEATURES:**

- Lightweight, low inertia.
- No maintenance, no lubrication.
- No change in angular velocity or torque due to misalignment.
- No end thrust due to torque transmission.
- Zero Backlash.
- Electrical Isolation.

**› SPECIFICATIONS:**

Rated torques are with all alignment factors zero.  
The summation of the three alignment factors should not exceed 50%.  
The rated torque must be reduced by the summation of the alignment factors.



Special bores up to the maximum sizes listed available on special order.

**INCH COMPONENT**

Catalog Number	B Bore +.001 -.000	Max. Bore	O.D. ± .010	L Length ± .010	W Hub Width ± .005	Screw Size
S59DZ9-CF120210	.125	3/8	.748	.620	.219	#4-40
S59DZ9-CF120310	.1875					
S59DZ9-CF120410	.250					
S59DZ9-CF160316	.1875	1/2	.984	1.000	.374	#6-32
S59DZ9-CF160416	.250					
S59DZ9-CF160616	.375					
S59DZ9-CF240418	.250	3/4	1.457	1.170	.394	#8-32
S59DZ9-CF240618	.375					
S59DZ9-CF240818	.500					

Catalog Number (Ref. Only)	Max. Cont. Torque ozf in.	Peak Torque ozf in.	Torsional Stiffness lbf in. per degree	Max. Shaft Misalignments	
				Lateral in.	Axial in.
S59DZ9-CF12...	64	96	2.3	.013	.010
S59DZ9-CF16...	144	208	5	.019	.014
S59DZ9-CF24...	496	720	16.3	.028	.021

