

JAW TYPE FLEXIBLE COUPLINGS



RUBBER SPIDER
OIL RESISTANT

PHONE: 516.328.3300 • FAX: 516.326.8827 • WWW.SDP-SI.COM

> MATERIAL:

Body - Sintered Iron
Spider - NBR Rubber - 80A ± 5 Durometer
Δ 60A Durometer

> MISALIGNMENT COMPENSATION:

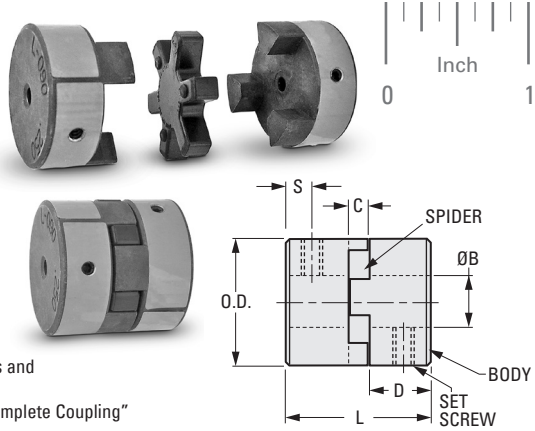
Max. Angular Offset: 1°
Max. Lateral Offset: .015

> OPERATING TEMPERATURE:

-40°F to +212°F

> BUILD YOUR OWN COUPLING:

For Different Bore Combinations: Select bodies and corresponding spider within the same series.
For Bodies with the Same Bore: Select the "Complete Coupling"



INCH COMPONENT				B Bore	Approximate Weight @ Max. Bore lb.	Wind-Up @ Max. Torque deg.
Catalog Number						
Complete Coupling	Body Only	Spider Only				
A 5Z 3-03504	A 5D 3-03504	Δ A 5R 3-035*	1/8	.1	5.0	
A 5Z 3-03506	A 5D 3-03506		3/16			
A 5Z 3-03508	A 5D 3-03508		1/4			
A 5Z 3-03510	A 5D 3-03510		5/16			
A 5Z 3-03512	A 5D 3-03512		3/8			
A 5Z 3-05008	A 5D 3-05008	A 5R 3-050*	1/4	.2	4.5	
A 5Z 3-05010	A 5D 3-05010		5/16			
A 5Z 3-05012	A 5D 3-05012		3/8			
A 5Z 3-05014	A 5D 3-05014		7/16			
A 5Z 3-05016	A 5D 3-05016		1/2			
A 5Z 3-07012	A 5D 3-07012	A 5R 3-070*	3/8	.4	3.5	
A 5Z 3-07014	A 5D 3-07014		7/16			
A 5Z 3-07016	A 5D 3-07016		1/2			
A 5Z 3-07508	A 5D 3-07508	A 5R 3-075	1/4	.8	4.7	
A 5Z 3-07510	A 5D 3-07510		5/16			
A 5Z 3-07512	A 5D 3-07512		3/8			
A 5Z 3-07514	A 5D 3-07514		7/16			
A 5Z 3-07516	A 5D 3-07516		1/2			
A 5Z 3-09008	A 5D 3-09008	A 5R 3-090	1/4	1.2	3.2	
A 5Z 3-09010	A 5D 3-09010		5/16			
A 5Z 3-09012	A 5D 3-09012		3/8			
A 5Z 3-09014	A 5D 3-09014		7/16			
A 5Z 3-09016	A 5D 3-09016		1/2			

* These Spiders have four legs only.

Coupling Series (Ref. Only)	O.D.	L Overall Length	C Distance Between Flanges	D Length Through Bore	Set Screw	S	Rated Torque lbf in.	hp @ 1800 rpm
A 5Z 3-035..	5/8	13/16	9/32	17/64	#6-32	.13	3.5	.10
A 5Z 3-050..	1-5/64	1-23/32	15/32	5/8	1/4-20	.31	26.3	.75
A 5Z 3-070..	1-23/64	2	1/2	3/4	1/4-20	.38	43.2	1.20
A 5Z 3-075..	1-3/4	2-1/8	1/2	13/16	1/4-20	.31	90.0	2.50
A 5Z 3-090..	2-7/64					.44	144.0	4.00

NOTE: If couplings are run at 3600 rpm, hp values shown in table can be doubled.

6-55
D820

REV:
4/27/23

I
R
T
1
2
3
4
5
6
7
8
9
10
11
12
13
14
15
16