

MINIATURE BALL COUPLINGS



HIGH-SPEED
ACCOMMODATES AXIAL MOTION
UP TO 15° ANGULAR OFFSET

PHONE: 516.328.3300 • FAX: 516.326.8827 • WWW.SDP-SI.COM

► MATERIAL:

End Sections - 303 Stainless Steel
Center Section - Nylon or 303 Stainless Steel

► FEATURES:

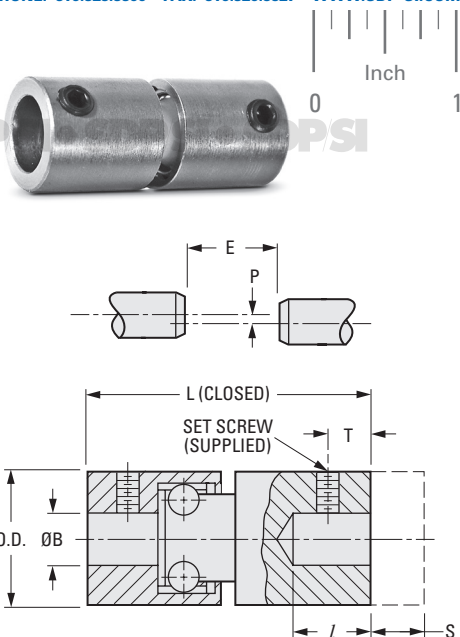
Allows angular and lateral misalignment and axial motion.
A constant-velocity assembly.
Exhibits low friction loss.
Has a low moment of inertia.
Will operate well at high speeds.
Units with nylon centers provide electrical isolation between shafts.

► SPECIFICATIONS:

Low Backlash: 1° – 2°
Lubrication: Molybdenum disulphide and grease

Units with other bores and/or with greater axial travel available on special order.

◊ Angular offset under max. operating conditions is 5°.



- I
- R
- T
- 1
- 2
- 3
- 4
- 5
- 6
- 7
- 8
- 9
- 10
- 11
- 12
- 13
- 14
- 15
- 16

MISALIGNMENT VS. SPEED & TORQUE		
Angular Misalignment	Speed rpm	Percentage Torque
5°	20000	—
6° – 10°	10000	50%
11° – 15°	5000	66%

MAXIMUM OPERATING CONDITIONS ◊					
O.D.	Torque oz in.		P Max. Lateral Offset	S Min. Axial Motion	E Axial Shaft Distance
	Nylon Center	Stainless Steel Center			
7/32	25	100	.02	1/8	3/8
5/16	50	200	.03		13/32
7/16	150	600	.05		1/2
9/16	400	1600	.07		11/16
1	800	3200			13/16

INCH COMPONENT

Catalog Number		O.D.	B Bore +.001 - .000 (Typ)	I Depth of B (Typ)	L Closed +.000 - .063	Set Screw	
Nylon Center	Stainless Steel Center					T Δ (Typ)	Size (Typ)
—	S58PY5-MJC0207	7/32	.0625	9/64	5/8	.06	#2-56
—	S58PY5-MJC0307		.0938				
—	S58PY5-MJC0407		.125				
S58PZ5-MJC0310	S58PY5-MJC0310	5/16	.0938	5/32	23/32	.08	#2-56
S58PZ5-MJC0410	S58PY5-MJC0410		.125				
S58PZ5-MJC0414	S58PY5-MJC0414		.125				
S58PZ5-MJC0614	S58PY5-MJC0614	7/16	.1875	3/16	7/8	.11	#4-40
S58PZ5-MJC0814	S58PY5-MJC0814		.250				
S58PZ5-MJC0818	S58PY5-MJC0818		.250				
S58PZ5-MJC1018	S58PY5-MJC1018	9/16	.3125	5/16	1-5/16	.16	#10-32
S58PZ5-MJC1218	S58PY5-MJC1218		.375				
*S58PZ5-MJC1232	*S58PY5-MJC1232		.375				
*S58PZ5-MJC1632	*S58PY5-MJC1632	1	.500	17/32	1-7/8	.25	1/4-20
*S58PZ5-MJC2032	*S58PY5-MJC2032		.625				

* These couplings utilize four ball races for smoother operation and larger torque capacity.

Δ Angular relationship between tapped holes may vary freely.

6-70
D820