

**> MATERIAL:**

- Bushing** - Aluminum
- Clamp** - Aluminum
- Bellows** - Stainless Steel

**> FEATURES:**

- Backlash-free torque transmission.
- High torsional rigidity.
- High-speed torque transmission.
- Low-mass moment of inertia.

**> FOR COMPLETE COUPLING**

**INCH COMPONENT CATALOG NUMBER**

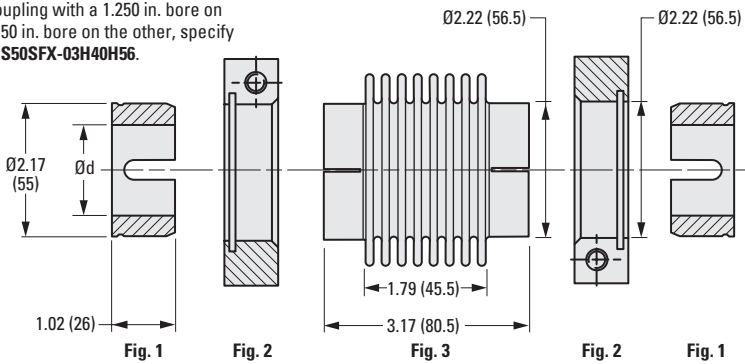
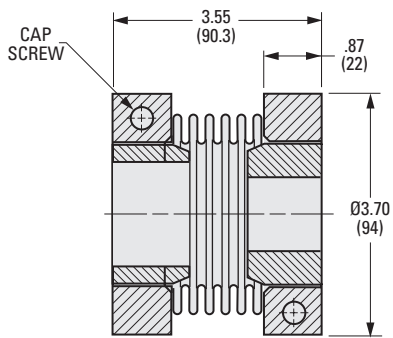
**S 5 0 S F X - 0 3 H**

Bore 1                      Bore 2

\* When creating a Catalog Number, **Bore 1** must be smaller than or equal to **Bore 2**.

Bore Code	Bore
24	.750
28	.875
32	1.000
40	1.250
48	1.500
56	1.750

Example: For a coupling with a 1.250 in. bore on one side and a 1.750 in. bore on the other, specify Catalog Number: **S50SFX-03H40H56**.



NOTE: Dimensions in ( ) are mm.

**> FOR INDIVIDUAL COMPONENTS**

**INCH COMPONENT**

Catalog Number	Material	d* Bore	Transmissible Torque lbf ft.
<b>Fig. 1 Bushing</b>			
S50SFX-03075217	Aluminum	.7508 / .7500	98
S50SFX-03088217		.8758 / .8750	108
S50SFX-03100217		1.0008 / 1.0000	123
S50SFX-03125217		1.2510 / 1.2500	147
S50SFX-03150217		1.5010 / 1.5000	
S50SFX-03175217		1.7510 / 1.7500	
<b>Fig. 2 Clamp</b>			
S35SFX-03222362	Aluminum	—	—
<b>Fig. 3 Bellows</b>			
S60SFX-03317222	Stainless Steel	—	—

\* 1.125", 1.375" bore bushings are available on special order.

I  
R  
T  
1  
2  
3  
4  
5  
6  
7  
8  
9  
10  
11  
12  
13  
14  
15  
16