

> MATERIAL:

- Bushing** - Aluminum
- Clamp** - Aluminum
- Bellows** - Stainless Steel

> FEATURES:

- Backlash-Free Torque Transmission
- High Torsional Rigidity
- High-Speed Torque Transmission
- Low-Mass Moment of Inertia

> FOR COMPLETE COUPLING

INCH COMPONENT CATALOG NUMBER

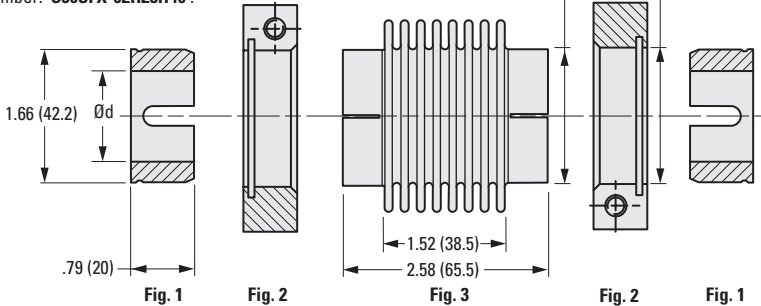
S 5 0 S F X - 0 2 H H

Bore 1 Bore 2

*When creating a Catalog Number, **Bore 1** must be smaller than or equal to **Bore 2**.

| Bore Code | Bore |
|-----------|-------|
| 20 | .625 |
| 24 | .750 |
| 28 | .875 |
| 32 | 1.000 |
| 40 | 1.250 |

Example: For a coupling with a 16 mm bore on one side and a 22 mm bore on the other, specify Catalog Number: **S50SFX-02H28H40**.



> FOR INDIVIDUAL COMPONENTS

INCH COMPONENT

| Catalog Number | Material | d* Bore | Transmissible Torque lbf.ft. |
|-----------------------|-----------------|-----------------|------------------------------|
| Fig. 1 Bushing | | | |
| S50SFX-02063166 | Aluminum | .625 / .6250 | 44 |
| S50SFX-02075166 | Aluminum | .7508 / .7500 | 53 |
| S50SFX-02088166 | Aluminum | .8758 / .8750 | 62 |
| S50SFX-02100166 | Aluminum | 1.0008 / 1.0000 | 74 |
| S50SFX-02125166 | Aluminum | 1.2510 / 1.2500 | 74 |
| Fig. 2 Clamp | | | |
| S35SFX-02169279 | Aluminum | - | - |
| Fig. 3 Bellows | | | |
| S60SFX-02258169 | Stainless Steel | - | - |

NOTES: Dimensions in () are mm.

* 1.125", 1.375" bore bushings are available on special order

Coupling Product Finder



- I
- R
- T
- 1
- 2
- 3
- 4
- 5
- 6
- 7
- 8
- 9
- 10
- 11
- 12
- 13
- 14
- 15
- A