

> MATERIAL:

- Bushing** - Aluminum
- Clamp** - Aluminum
- Bellows** - Stainless Steel

> FEATURES:

- Backlash-Free Torque Transmission
- High Torsional Rigidity
- High-Speed Torque Transmission
- Low-Mass Moment of Inertia

> FOR COMPLETE COUPLING

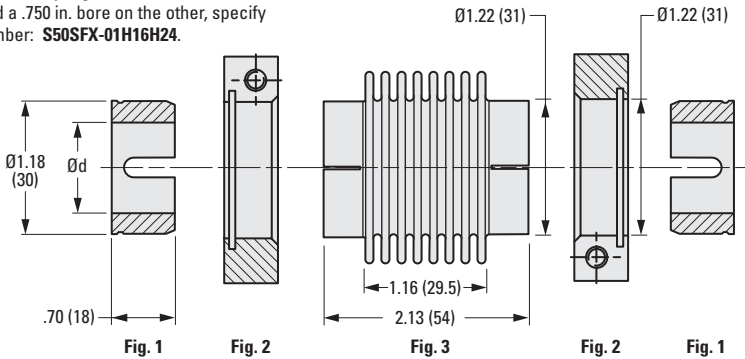
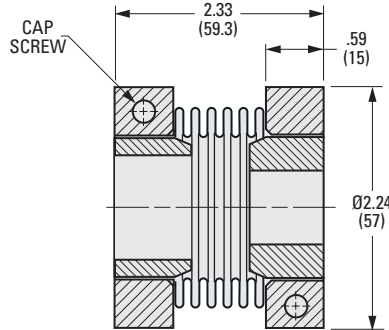
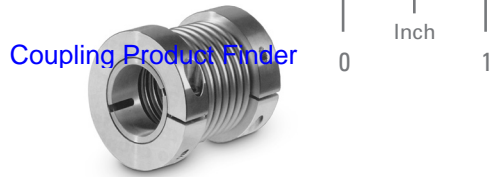
INCH COMPONENT CATALOG NUMBER

S 5 0 S F X - 0 1 H

* When creating a Catalog Number, **Bore 1** must be smaller than or equal to **Bore 2**.

Bore Code	Bore
16	.500
20	.625
24	.750
28	.875
32	1.000

Example: For a coupling with a .500 in. bore on one side and a .750 in. bore on the other, specify Catalog Number: **S50SFX-01H16H24**.



Dimensions in () are mm.

> FOR INDIVIDUAL COMPONENTS

INCH COMPONENT

Catalog Number	Material	d Bore Dia.	Transmissible Torque lbf ft.
Fig. 1 Bushing			
S50SFX-01050118	Aluminum	.5007 / .5000	19
S50SFX-01063118	Aluminum	.6257 / .6250	26
S50SFX-01075118	Aluminum	.7508 / .7500	29
S50SFX-01088118	Aluminum	.8758 / .8750	29
S50SFX-01100118	Aluminum	1.0008/1.0000	29
Fig. 2 Clamp			
S35SFX-01122216	Aluminum	-	-
Fig. 3 Bellows			
S60SFX-01213122	Stainless Steel	-	-

