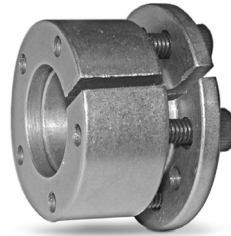


LOCKING HUB BUSHINGS



FITS COMPONENTS WITH LIMITED HUB O.D.
 ELIMINATES KEYS OR SPLINES
 IMPROVES FIT CONCENTRICITY
 DEFINED AXIAL HUB POSITION
 EASY AXIAL OR ANGULAR TIMING

PHONE: 516.328.3300 • FAX: 516.326.8827 • WWW.SDP-SI.COM

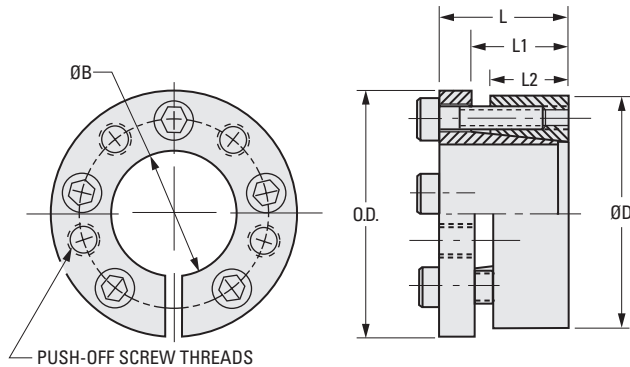


> MATERIAL:

- Inner Body - Steel
- Outer Sleeve - Steel
- Socket Head Screws - Alloy Steel, Black Oxide Finish

> SPECIFICATION:

* Tolerance of shaft diameter and mating mounted component bore is $\pm .0010$.



INCH COMPONENT

Catalog Number	B* Bore	D* Dia.	O.D.	L2	L1	L	Locking Screw		Screw Tightening Torque lbf in.	Max. Torque lbf in.
							Size	Qty		
S21HSC-250094650	.2500	.8125	.938	.394	.516	.650	M4	3	36.1	167
S21HSC-313106650	.3125	.8750	1.000						42.5	246
S21HSC-375106650	.3750	.9375	1.063					3		295
S21HSC-500119650	.5000	1.0625	1.188	.394	.516	.650	M4	4	42.5	524
S21HSC-625131807	.6250	1.1875	1.313							983
S21HSC-750144807	.7500	1.3125	1.438	.472	.594	.807	M4	6	42.5	1179
S21HSC-875175984	.8750	1.5625	1.750					6		2664
S21HSC-A00188984	1.0000	1.6875	1.875	.591	.754	.984	M5	8	87	3449

