



Companion Pulleys

Stock Drive Products/Sterling Instrument ■ Phone: 516-328-3300 ■ Fax: 516-326-8827

■ MOLDED & MOLDED WITH INSERT

■ FOR 1/4 V-BELTS

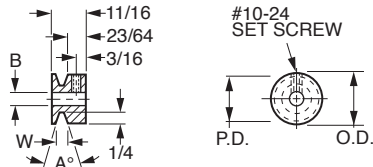


Fig. 1

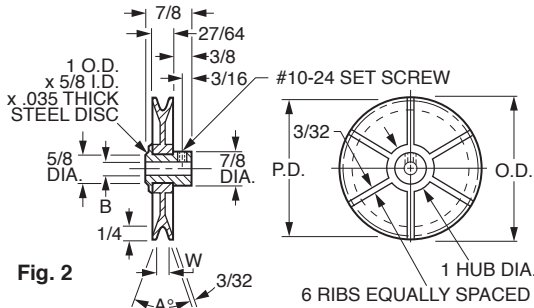


Fig. 2



MATERIAL: Fig. 1 - Nylon
 Fig. 2 - Body - Nylon
 Hub - Aluminum

Catalog Number	Fig. No.	P.D.	O.D.	B Bore +.001 -.000	W Width	A° Angle				
A 6T10-0121008 A 6T10-0121010	1	.9	1.0	.2505 .313	.240	32°				
A 6Z10-0121508 A 6Z10-0121510 A 6Z10-0121512 A 6Z10-0121516	2	1.4	1.5	.2505 .313 .3755 .5005	.243	34°				
A 6Z10-0122008 A 6Z10-0122010 A 6Z10-0122012 A 6Z10-0122016				.2505 .313 .3755 .5005			.246	36°		
A 6Z10-0122508 A 6Z10-0122510 A 6Z10-0122512 A 6Z10-0122516				.2505 .313 .3755 .5005					.246	36°
A 6Z10-0123008 A 6Z10-0123010 A 6Z10-0123012 A 6Z10-0123016				.2505 .313 .3755 .5005						

Continued on the next page

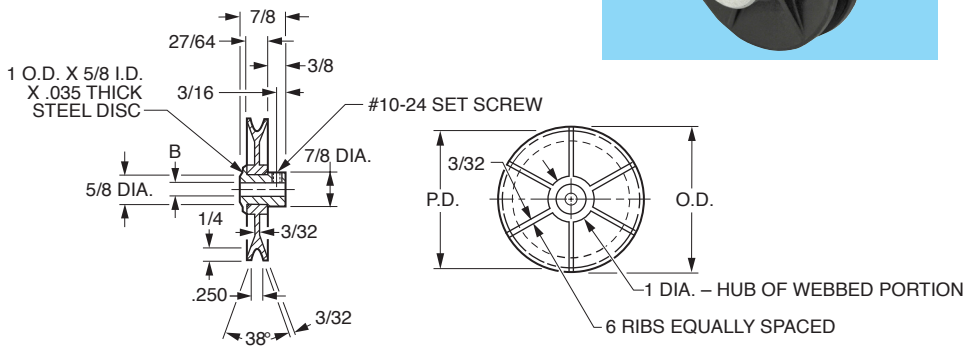
Inch Inch Inch Inch Inch Inch Inch Inch Inch Inch

SDPSI **Companion Pulleys**

Stock Drive Products/Sterling Instrument ■ Phone: 516-326-3300 ■ Fax: 516-326-8827

■ MOLDED WITH INSERT

■ FOR 1/4 V-BELTS



MATERIAL: Body - Nylon
Hub - Aluminum

Catalog Number	P.D.	O.D.	B Bore +.001 -.000
A 6Z10-0123508	3.4	3.5	.2505
A 6Z10-0123510			.313
A 6Z10-0123512			.3755
A 6Z10-0123516			.5005
A 6Z10-0124008	3.9	4.0	.2505
A 6Z10-0124010			.313
A 6Z10-0124012			.3755
A 6Z10-0124016			.5005
A 6Z10-0124508	4.4	4.5	.2505
A 6Z10-0124510			.313
A 6Z10-0124512			.3755
A 6Z10-0124516			.5005
A 6Z10-0125008	4.9	5.0	.2505
A 6Z10-0125010			.313
A 6Z10-0125012			.3755
A 6Z10-0125016			.5005
A 6Z10-0126008	5.9	6.0	.2505
A 6Z10-0126010			.313
A 6Z10-0126012			.3755
A 6Z10-0126016			.5005