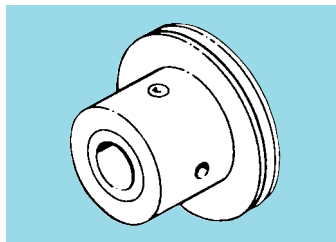
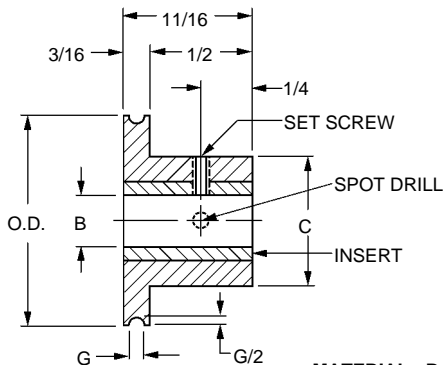




# Grooved Pulleys

- MOLDED WITH INSERT
- FOR 3/32" & 1/8" DIA. ROUND BELTS
- 3/16" FACE



**MATERIAL:** Body - Acetal  
Insert - Brass

Catalog Number	O.D.	B Bore +.001 -.000	C Hub Dia.	G Groove Width	Set Screw
<b>FOR 3/32" DIA. ROUND BELTS</b>					
A 6T10-1230404	.500	.125	5/8	3/32	#4-40
A 6T10-1230604	.750		3/4		
A 6T10-1231004	1.000				
A 6T10-1231404	1.500	.1875	1	3/32	#4-40
A 6T10-1232004	2.000		3/4		
A 6T10-1230406	.500				
A 6T10-1230606	.750	.250	5/8	3/32	#6-32
A 6T10-1231006	1.000		3/4		
A 6T10-1231406	1.500				
A 6T10-1232006	2.000	.125	1	1/8	#4-40
A 6T10-1231008	1.000		5/8		
A 6T10-1231408	1.500				
A 6T10-1232008	2.000	.1875	3/4	1/8	#4-40
A 6T10-1232408	2.500		3/4		
A 6T10-1240404	.500				
A 6T10-1240604	.750	.250	5/8	1/8	#6-32
A 6T10-1241004	1.000		3/4		
A 6T10-1241404	1.500				
A 6T10-1242004	2.000	.1875	1	1/8	#4-40
A 6T10-1240406	.500		5/8		
A 6T10-1240606	.750				
A 6T10-1241006	1.000	.250	3/4	1/8	#6-32
A 6T10-1241406	1.500		3/4		
A 6T10-1242006	2.000				
A 6T10-1240408	.500	.125	5/8	1/8	#4-40
A 6T10-1240608	.750		3/4		
A 6T10-1241008	1.000				
A 6T10-1241408	1.500	.1875	1	1/8	#6-32
A 6T10-1242008	2.000		3/4		
A 6T10-1242408	2.500				