



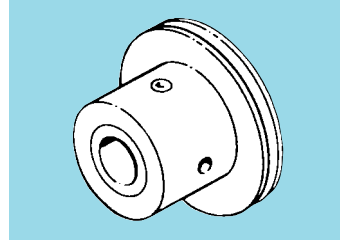
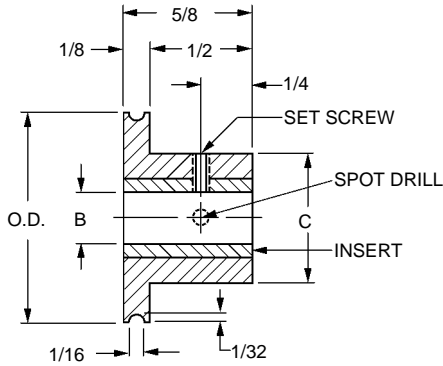
**INCH**

**Grooved Pulleys**

■ MOLDED WITH INSERT

■ FOR 1/16" DIA. ROUND BELTS

■ 1/8" FACE



**MATERIAL: Body - Acetal  
Insert - Brass**

Catalog Number	O.D.	B Bore +.001 -.000	C Hub Dia.	Set Screw
A 6T10-1220404	.500	.125	5/8	#4-40
A 6T10-1220604	.750			
A 6T10-1221004	1.000			
A 6T10-1222004	2.000		3/4 1	
A 6T10-1220406	.500	.1875	5/8	#4-40
A 6T10-1220606	.750			
A 6T10-1221006	1.000			
A 6T10-1221406	1.500		3/4 1	
A 6T10-1222006	2.000	.250	5/8 3/4	#6-32
A 6T10-1221008	1.000			
A 6T10-1221408	1.500			
A 6T10-1222008	2.000		1	#6-32
A 6T10-1222408	2.500			