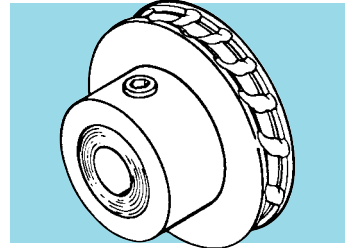
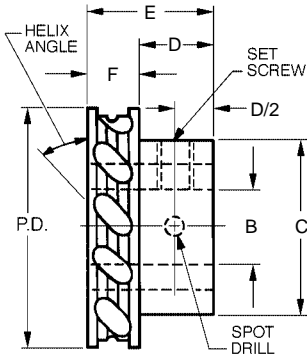




INCH

Synchromesh Cable Pulleys



**MATERIAL: Pulley - Acetal
Insert - Brass***

Catalog Number	Pitch	No. of Grooves	P.D.	B Bore +.001 -.000	F Face Width	E Length	C Hub Dia.	D Hub Proj. Ref.	Helix Angle	Set Screw
A 6P 9-0601504	.120	15	.573	.125	9/64	3/8	13/32	15/64	45°	#2-56
A 6P 9-0602004		20	.764	.125			#2-56			
A 6P 9-0602006		20	.764	.1875			#6-40			
A 6P 9-0602504		25	.955	.125			#2-56			
A 6P 9-0602506	25	.955	.1875	.125	#6-40					
A 6P 9-0801506	.150	15	.716	.1875	9/64	3/8	35/64	15/64	51°	#6-40
A 6P 9-0801508		15	.716	.250			#8-32			
A 6P 9-0802406		24	1.146	.1875			#6-40			
A 6P 9-0802408	24	1.146	.250	.250	#8-32					
A 6P 9-1001508	.200	15	.955	.250	3/16	1/2	5/8	5/16	42°	#8-32
A 6P 9-1001510		15	.955	.3125			5/8			
A 6P 9-1003008		30	1.910	.250			43/64			
A 6P 9-1003010		30	1.910	.3125			43/64			
A 6P 9-1201512	.250	15	1.193	.375	1/4	5/8	7/8	3/8	48°	#10-32
A 6P 9-1203012		30	2.387	.375						

*Aluminum inserts used on .250 pitch pulleys.

Also see Idler Pulley Series:

1. Steel with Ball Bearing - A 6C 9-...
2. Molded Nylon with Ball Bearing - A 6Z 9-...
3. Molded Nylon with Sintered Bronze Bearing - A 6T 9-...
4. Molded Acetal - A 6M 9-...