

PRECISION SHAFT/HUB CLAMPS



PRECISION REDUCED CLEARANCE SHAFT/HUB CLAMPS

PHONE: 516.328.3300 • FAX: 516.326.8827 • WWW.SDP-SI.COM

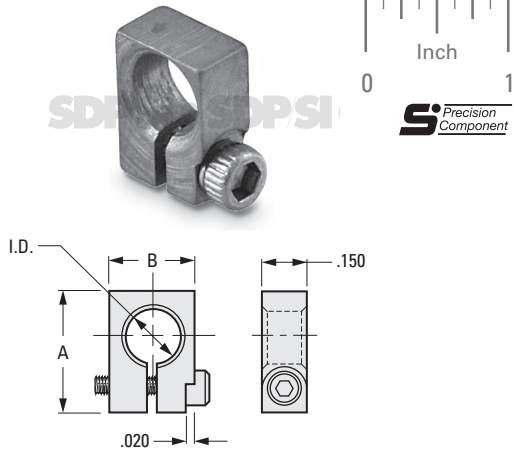
> MATERIAL:

Hardened 416 Stainless Steel

> SPECIFICATIONS:

Tolerances	
Decimals	± .005

Stainless Steel socket head cap screw supplied.



INCH COMPONENT

Catalog Number	I.D.* +.001 -.000	A	B	Screw Size	Clearance Radius
S3201Y-C046	.1250	.290	.196	#2-56	.26
S3201Y-C047	.1406	.304	.210		.27
S3201Y-C048	.1562	.320	.226		.28
S3201Y-C049	.1718	.336	.242		.29
S3201Y-C050	.1875	.352	.258		.30
S3201Y-C051	.2031	.368	.274		.31
S3201Y-C052	.2187	.382	.288		.32
S3201Y-C053	.2343	.398	.304		.33
S3201Y-C054	.2500	.414	.320		.35

* Dimensions apply before slot is made.

PRECISION SHAFT/HUB CLAMPS

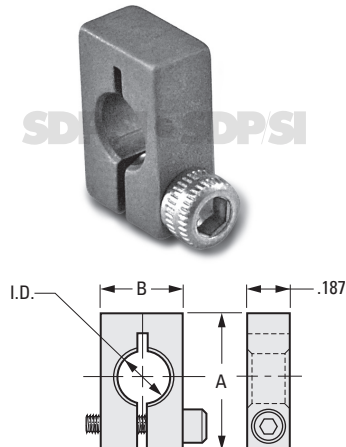
> MATERIAL:

Hardened 416 Stainless Steel

> SPECIFICATIONS:

Tolerances	
Decimals	± .005
Fractions	± 1/64

Stainless Steel socket head cap screw supplied.



INCH COMPONENT

Catalog Number	I.D.* +.001 -.000	A	B	Screw Size	Clearance Radius
S3200Y-C145	.187	1/2	.312	#4-40	25/64
S3200Y-C146	.250	5/8	.375		7/16

* Dimensions apply before slot is made.

4-46
D820

REVISED:
6/26/23

I

R

T

1

2

3

4

5

6

7

8

9

10

11

12

13

14

15

16