

> MATERIAL:
303 Stainless Steel

PHONE: 516.328.3300 • FAX: 516.326.8827 • WWW.SDP-SI.COM

Use with **S1268Z**- series of hubless gears.

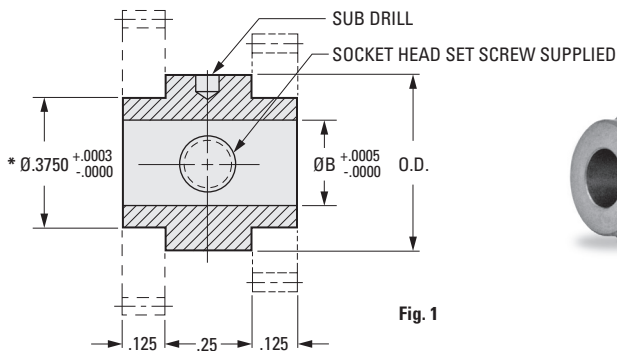
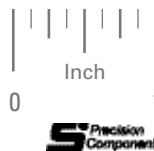


Fig. 1

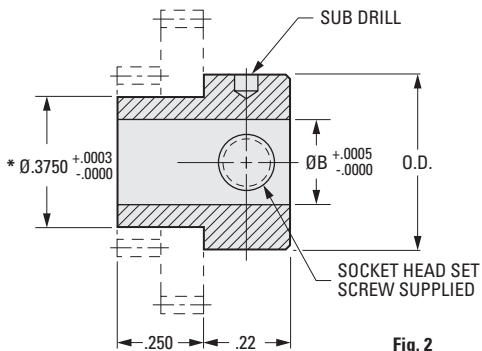
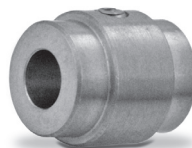
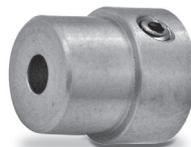


Fig. 2



* .3750 Diameters concentric to bore within .0003 T.I.R.

INCH COMPONENT

Catalog Number	B Bore	O.D.	Set Screw
Fig. 1			
S2706Y-125078CL	.0781	7/16	#2-56
S2706Y-125120CL	.1200		
S2706Y-125125CL	.1248		
S2706Y-125156CL	.1562		
S2706Y-125187CL	.1873		
S2706Y-125250CL	.2498	1/2	#6-32
Fig. 2			
S2706Y-250078CL	.0781	7/16	#2-56
S2706Y-250120CL	.1200		
S2706Y-250125CL	.1248		
S2706Y-250156CL	.1562		
S2706Y-250187CL	.1873		
S2706Y-250250CL	.2498	1/2	#6-32

4-5
D820

REVISED:
6/19/23

I

R

T

1

2

3

4

5

6

7

8

9

10

11

12

13

14

15

16