

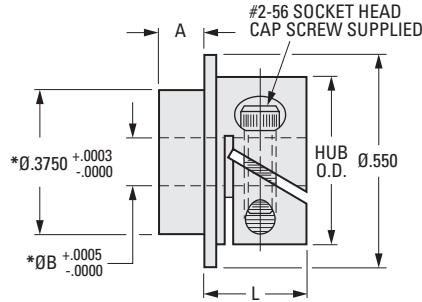
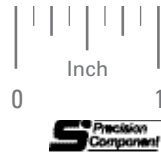
**> MATERIAL:**

303 Stainless Steel

PHONE: 516.328.3300 • FAX: 516.326.8827 • WWW.SDP-SI.COM

Available on special order:  
Hubs assembled to gears or  
dials and passivation.

Fairloc® hubs require controlled  
shaft tolerances. Suggested clearance  
fit between the bore and the shaft is .0001/.0008.



\* Diameters concentric within .0003 T.I.R.

**INCH COMPONENT**

Catalog Number	A	B Bore	L	Hub O.D.	Cap Screw Clearance Radius	
S2F06Y-062090	.062	.0900	.265	.437	.273	
S2F06Y-125090	.125					
S2F06Y-062094	.062	.0937				
S2F06Y-125094	.125					
S2F06Y-062120	.062	.1200				
S2F06Y-125120	.125					
S2F06Y-062125	.062	.1248				
S2F06Y-125125	.125					
S2F06Y-062187	.062	.1873				
S2F06Y-125187	.125					
S2F06Y-187187	.187	.2405	.295	.530	.304	
S2F06Y-062241	.062					
S2F06Y-125241	.125					
S2F06Y-187241	.187					
S2F06Y-062250	.062					.2498
S2F06Y-125250	.125					
S2F06Y-187250	.187					