

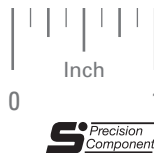
AGMA 10
 .2498 BORE
 20° PRESSURE ANGLE

PHONE: 516.328.3300 • FAX: 516.326.8827 • WWW.SDP-SI.COM

> MATERIAL:
 303 Stainless Steel

Available on special order:
 Teeth not listed, different pitch,
 bore size, passivation.

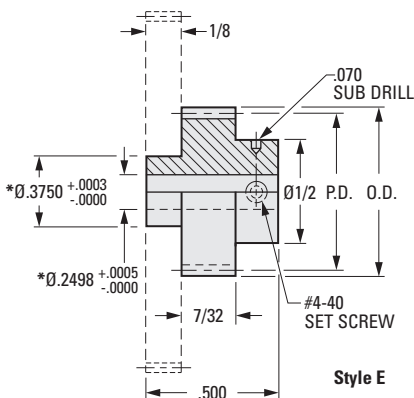
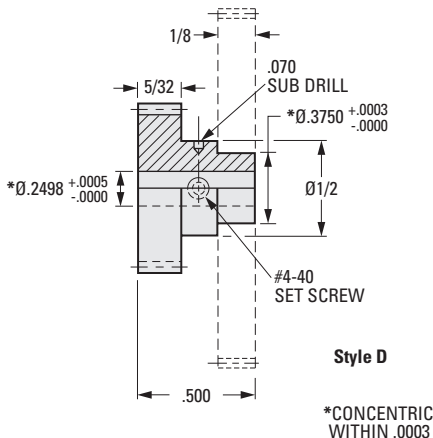
See **S1268Z**- series in the part number
 index for hubless gears that can be mounted
 on these cluster gears and hubs.



Style D



Style E



INCH COMPONENT				
Catalog Number		No. of Teeth	P.D.	O.D.
Style D	Style E			
S1F76Z-D048S025	S1F96Z-E048S025	25	.5208	.5625
S1F76Z-D048S030	S1F96Z-E048S030	30	.6250	.6667

- I
- R
- T
- 1**
- 2
- 3
- 4
- 5
- 6
- 7
- 8
- 9
- 10
- 11
- 12
- 13
- 14
- 15
- 16