

AGMA 10  
 .1873 BORE  
 20° PRESSURE ANGLE

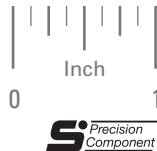
PHONE: 516.328.3300 • FAX: 516.326.8827 • WWW.SDP-SI.COM

**> MATERIAL:**

303 Stainless Steel

Available on special order:  
 Teeth not listed, different pitch,  
 bore size, passivation.

See **S1268Z**- series in the part number  
 index for hubless gears that can be mounted  
 on these cluster gears and hubs.



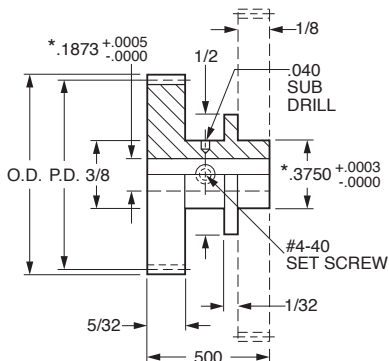
Style A



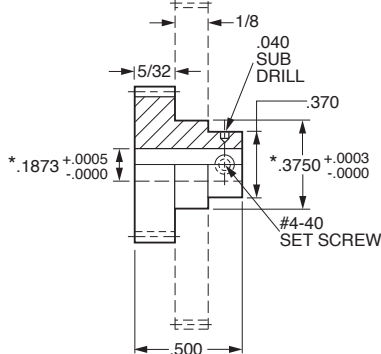
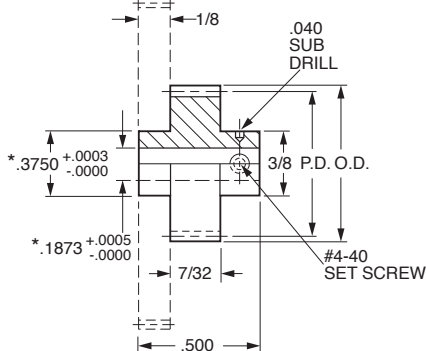
Style B



Style C



\* CONCENTRIC  
 WITHIN .0003



**INCH COMPONENT**

Catalog Number			No. of Teeth	P.D.	O.D.
Style A	Style B	Style C			
S1F74Z-A048S020	S1F94Z-B048S020 Δ	S1F74Z-C048S020 Δ	20	.4167	.458
S1F74Z-A048S022	S1F94Z-B048S022	S1F74Z-C048S022	22	.4583	.500
S1F74Z-A048S023	S1F94Z-B048S023	S1F74Z-C048S023	23	.4792	.521
S1F74Z-A048S024	S1F94Z-B048S024	S1F74Z-C048S024	24	.5000	.542
S1F74Z-A048S030	S1F94Z-B048S030	S1F74Z-C048S030	30	.6250	.667
S1F74Z-A048S040	S1F94Z-B048S040	S1F74Z-C048S040	40	.8333	.875

Δ Hob cuts thru .3750 mounting diameter.

1-178  
 D820

REVISED:  
 6/5/23

- I
- R
- T
- 1
- 2
- 3
- 4
- 5
- 6
- 7
- 8
- 9
- 10
- 11
- 12
- 13
- 14
- 15
- 16