

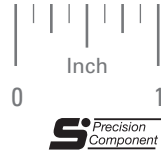
AGMA 10  
.2498 BORE  
20° PRESSURE ANGLE

PHONE: 516.328.3300 • FAX: 516.326.8827 • WWW.SDP-SI.COM

**> MATERIAL:**  
303 Stainless Steel

Available on special order:  
Teeth not listed, different pitch,  
bore size, passivation.

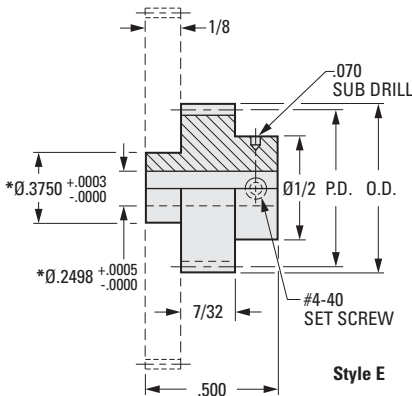
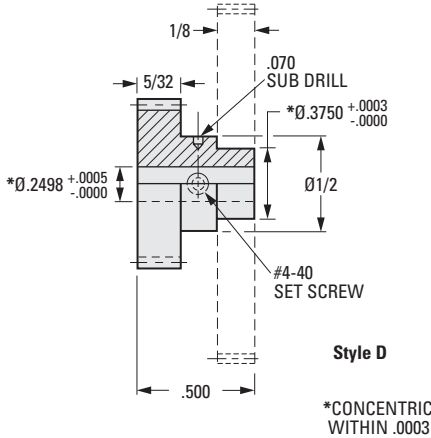
See **S1268Z-** series in the part number  
index for hubless gears that can be mounted  
on these cluster gears and hubs.



**Style D**



**Style E**



INCH COMPONENT				
Catalog Number		No. of Teeth	P.D.	O.D.
Style D	Style E			
S1F76Z-D064S030	S1F96Z-E064S030	30	.4688	.5000
S1F76Z-D064S040	S1F96Z-E064S040	40	.6250	.6563
S1F76Z-D064S050	S1F96Z-E064S050	50	.7813	.8125

1-177  
D820

REVISED:  
6/5/23

I

R

T

1

2

3

4

5

6

7

8

9

10

11

12

13

14

15

16