

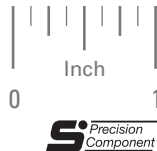
AGMA 10  
 .1873 BORE  
 20° PRESSURE ANGLE

PHONE: 516.328.3300 • FAX: 516.326.8827 • WWW.SDP-SI.COM

> **MATERIAL:**  
 303 Stainless Steel

Available on special order:  
 Teeth not listed, different pitch,  
 bore size, passivation.

See **S1268Z**- series in the part number  
 index for hubless gears that can be mounted  
 on these cluster gears and hubs.



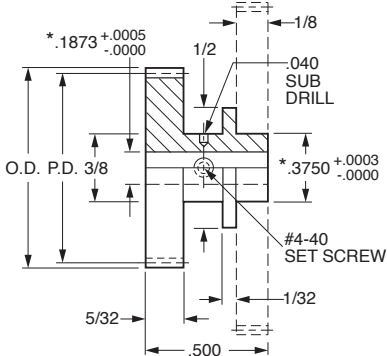
Style A



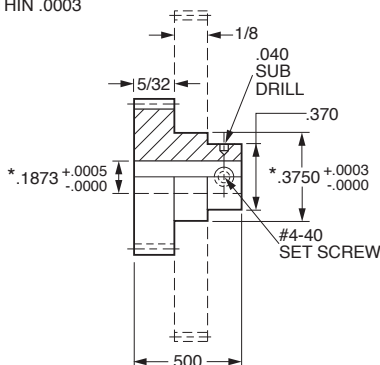
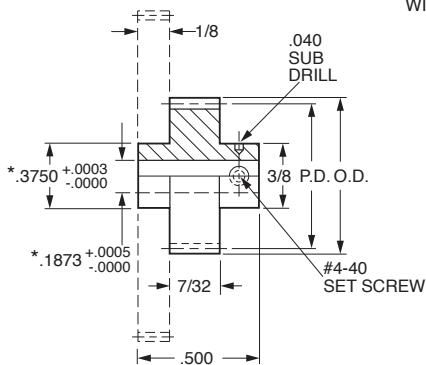
Style B



Style C



\* CONCENTRIC  
 WITHIN .0003



**INCH COMPONENT**

Catalog Number			No. of Teeth	P.D.	O.D.
Style A	Style B	Style C			
S1F74Z-A072S030	S1F94Z-B072S030	S1F74Z-C072S030	30	.4167	.444
S1F74Z-A072S033	S1F94Z-B072S033	S1F74Z-C072S033	33	.4583	.486
S1F74Z-A072S035	S1F94Z-B072S035	S1F74Z-C072S035	35	.4861	.514
S1F74Z-A072S038	S1F94Z-B072S038	S1F74Z-C072S038	38	.5278	.556
S1F74Z-A072S040	S1F94Z-B072S040	S1F74Z-C072S040	40	.5555	.583
S1F74Z-A072S050	S1F94Z-B072S050	S1F74Z-C072S050	50	.6944	.722
S1F74Z-A072S060	S1F94Z-B072S060	S1F74Z-C072S060	60	.8333	.861

1-175  
 D820

REVISED:  
 6/5/23

- I
- R
- T
- 1
- 2
- 3
- 4
- 5
- 6
- 7
- 8
- 9
- 10
- 11
- 12
- 13
- 14
- 15
- 16