

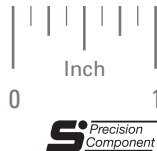
AGMA 10  
 .1873 BORE  
 20° PRESSURE ANGLE

PHONE: 516.328.3300 • FAX: 516.326.8827 • WWW.SDP-SI.COM

**> MATERIAL:**  
 303 Stainless Steel

Available on special order:  
 Teeth not listed, different pitch,  
 bore size and passivation.

See **S1268Z**- series in the part number  
 index for hubless gears that can be mounted  
 on these cluster gears and hubs.



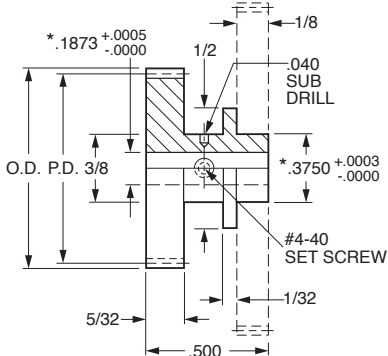
**Style A**



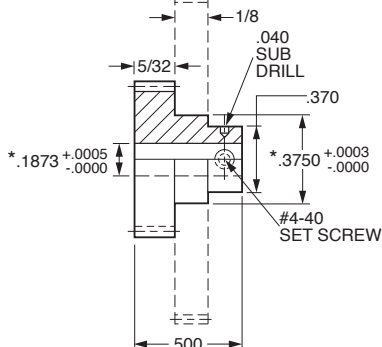
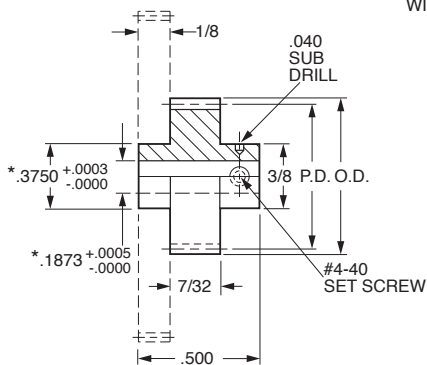
**Style B**



**Style C**



\* CONCENTRIC  
 WITHIN .0003



- I
- R
- T
- 1**
- 2
- 3
- 4
- 5
- 6
- 7
- 8
- 9
- 10
- 11
- 12
- 13
- 14
- 15
- 16

INCH COMPONENT			No. of Teeth	P.D.	O.D.
Catalog Number					
Style A	Style B	Style C			
S1F74Z-A080S035	—	—	35	.4375	.4625
S1F74Z-A080S040	S1F94Z-B080S040	S1F74Z-C080S040	40	.5000	.5250
S1F74Z-A080S050	S1F94Z-B080S050	S1F74Z-C080S050	50	.6250	.6500
S1F74Z-A080S060	—	—	60	.7500	.7750