

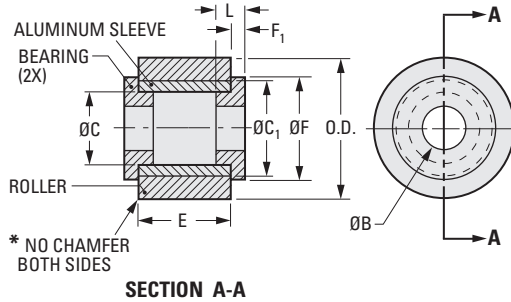
URETHANE SURFACE
WITH POLYMER BEARING

PHONE: 516.328.3300 • FAX: 516.326.8827 • WWW.SDP-SI.COM



> MATERIAL:

- Roller** - Urethane 60 Durometer
Ground Outside Diameter
- Sleeve** - Aluminum Alloy
- Bearing** - M250® Polymer



INCH COMPONENT

Catalog Number	O.D.	B Bore	E Face Width ± .010	L Bearing Length	F Flange Dia.	F ₁ Flange Thickness Ref.	C Sleeve I.D.	C ₁ Sleeve O.D.	
A 7ZB5-URG05025A	.500	.1250 ^{+0.0030} / _{+0.0012}	.250	.1250	.360	.047	.250	.344	
A 7ZB5-URG05025B			.718	.1875					
A 7ZB5-URG05025C			.500						
A 7ZB5-URG06737	.672	.2500 ^{+0.0039} / _{+0.0016}	.250	.1250	.560	.062	.375	.500	
A 7ZB5-URG07537	.750		.500						
*A 7ZB5-URG08137	.813		.484						.688
A 7ZB5-URG09237	.922		.438						
A 7ZB5-URG11237A	1.125		.688						.500
A 7ZB5-URG11237B									
A 7ZB5-URG19837									
A 7ZB5-URG19850A	1.988	.3750 ^{+0.0039} / _{+0.0016}	.750	.1875	.625	.625	1.375		
A 7ZB5-URG19850B		1.000							

* Catalog Number A 7ZB5-URG08137 has .062 x 45° chamfer on both sides.

