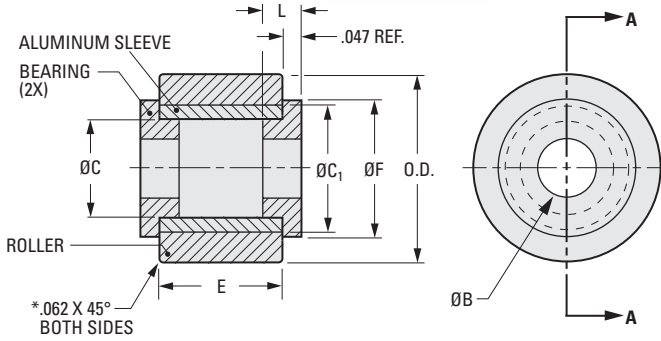
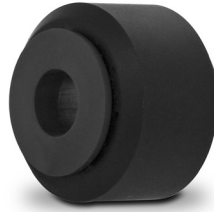


> MATERIAL:

- Roller** - Neoprene 60 Durometer, Black
Ground Outside Diameter
- Sleeve** - Aluminum Alloy
- Bearing** - M250® Polymer

PHONE: 516.328.3300 • FAX: 516.326.8827 • WWW.SDP-SI.COM



SECTION A-A

INCH COMPONENT

Catalog Number*	O.D.	B Bore	E Face Width ±.010	L Bearing Length	F Flange Dia.	C Sleeve I.D.	C ₁ Sleeve O.D.
A 7ZB5-IRG05025B	.500	.1250 ^{+.0030} / _{+.0012}	.718	.1875	.360	.250	.344
A 7ZB5-IRG07537	.750	.2500 ^{+.0039} / _{+.0016}	.500	.1250	.560	.375	.500
A 7ZB5-IRG08137	.813		.484				.688
A 7ZB5-IRG09237	.922		.438				.500
A 7ZB5-IRG11237A	1.125		.688				1.375
A 7ZB5-IRG11237B	1.125						
A 7ZB5-IRG19837	1.988						

*To be discontinued when present stock is depleted.